

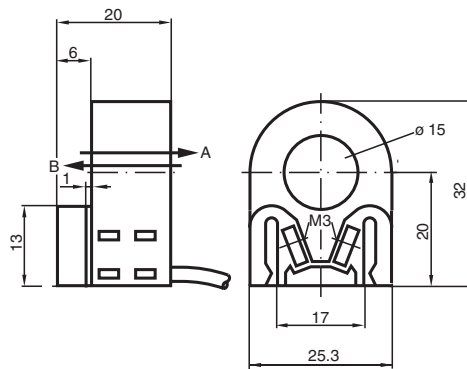
Inductive ring sensor

RB15-14-E2-BI-Y97927

- 15 mm inside diameter
- Basic series
- Bistable
- Direction detection



Dimensions



Technical Data

General specifications

Switching function	Normally open (NO)
Output type	PNP
Output polarity	DC
Inside diameter	15 mm
Measuring cone	6 mm
Material	1.4401
Passage speed	v ≤ 10 m/s
Output type	3-wire

Nominal ratings

Operating voltage	U_B	10 ... 30 V
Reverse polarity protection		reverse polarity protected
Short-circuit protection		pulsing
Output voltage		
Traverse A		1 V
Traverse B		$U_B - 3$ V
Power ON		1 V
Voltage drop	U_d	≤ 1.5 V
Operating current	I_L	0 ... 100 mA
No-load supply current	I_0	≤ 10 mA

Functional safety related parameters

MTTF _d		1449 a
Mission Time (T _M)		20 a
Diagnostic Coverage (DC)		0 %

Compliance with standards and directives

Release date: 2025-01-10 Date of issue: 2025-01-10 Filename: 097927_eng.pdf

Technical Data

Standard conformity	
Standards	EN IEC 60947-5-2
Approvals and certificates	
UL approval	cULus Listed, General Purpose
Ambient conditions	
Ambient temperature	-25 ... 70 °C (-13 ... 158 °F)
Mechanical specifications	
Connection type	cable
Housing material	PBT
Degree of protection	IP67
Cable	
Wire end ferrules	yes
Cable diameter	3 mm - 0.2 mm
Bending radius	> 12 x cable diameter
Material	PUR
Color	black
Number of cores	3
Core cross section	0.14 mm ²
Length	L 2 m
Dimensions	
Height	32.5 mm
Width	25 mm
Length	20 mm

Connection

