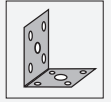


# Mounting aid

## OMH-04

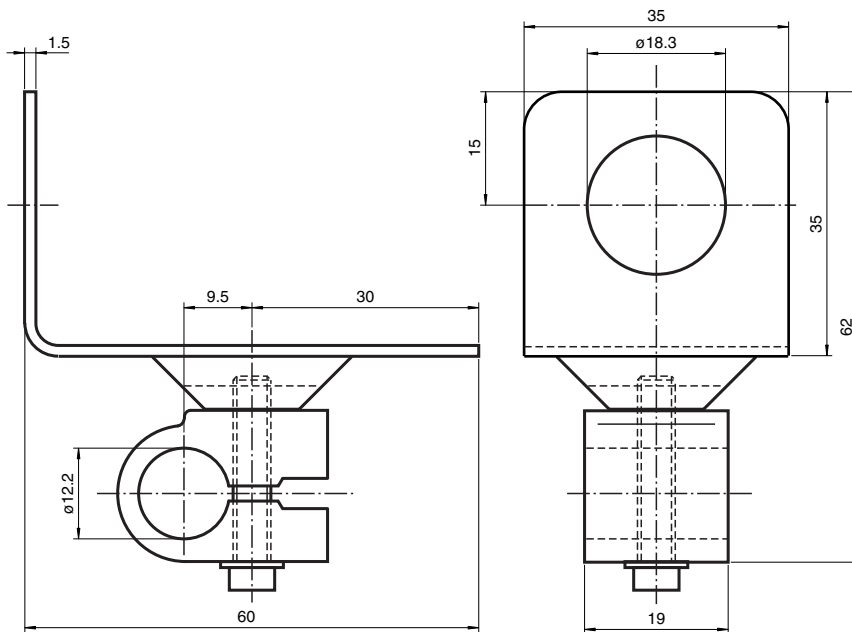
- Bracket for round steel or sheet



Mounting aid for round steel  $\varnothing$  12 mm or sheet 1.5 mm ... 3 mm



### Dimensions



Release date: 2020-12-23 Date of issue: 2021-02-05 Filename: 098743\_eng.pdf

### Technical Data

#### Mechanical specifications

Material	Metal sheet (steel), nickel-plated aluminum
Mass	approx. 60 g

**Technical Data****Suitable series**

Series	VL18 18GM60 CP18
--------	------------------------