



Base for read/write station

U-P6-B5

- INTERBUS-remote bus subscriber
- 2 PG screw fittings for IN and OUT supply
- 2 EMV PG screw fittings for BUS IN and OUT
- Complete read/write functionality via the INTERBUS
- Transfer of 10 bytes of data in one cycle
- DIP switch for ring termination
- Field device with degree of protection IP67

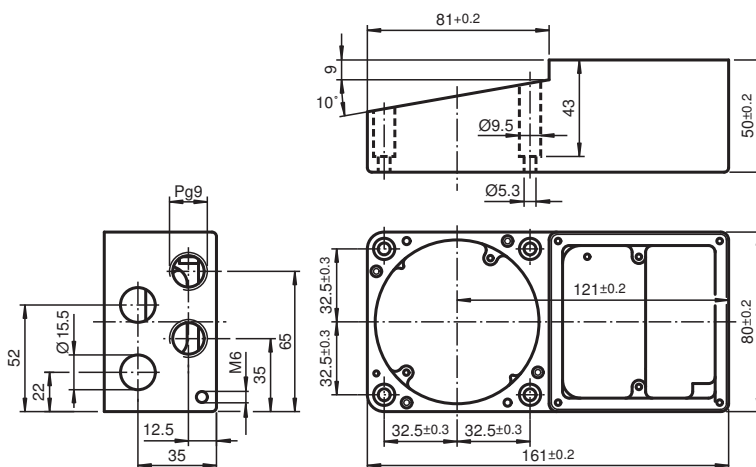
Base for INTERBUS



Function

The base is used in combination with an upper part, the IPT*-FP read/write station. The device is operated as a slave on the INTERBUS remote bus. The device makes available the complete read/write functionality. Up to 10 bytes are transmitted per cycle. The continuing bus is activated via DIP switch.

Dimensions



Technical Data

Indicators/operating means

DIP switch	ring termination 0 = closed 1 = bus continued
------------	---

Electrical specifications

Rated operating voltage	U_e	20 ... 30 V DC , ripple 10 % _{SS} , PELV
Power consumption	P_0	max. 5 W with read/write head IPT*-FP
Galvanic isolation		
Operating voltage/interface		functional insulation acc. to DIN EN 50178, rated insulation voltage 50 V _{eff}

Interface

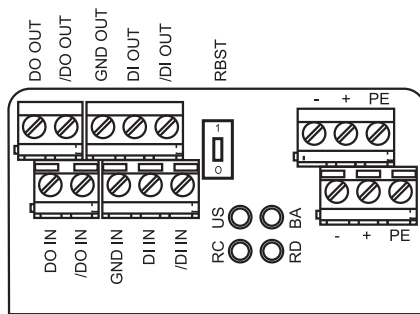
Physical	RS-485
Protocol	INTERBUS remote bus

Release date: 2020-03-31 Date of issue: 2020-03-31 Filename: 099100_eng.pdf

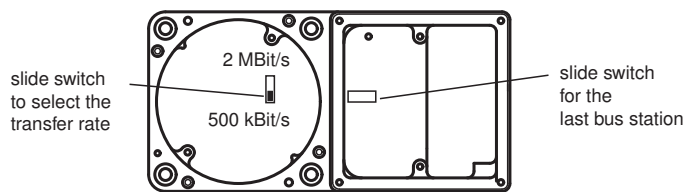
Technical Data

ID code	03
Transfer rate	500 kBit/s or 2 MBit/s internally switchable
Ambient conditions	
Ambient temperature	-25 ... 70 °C (-13 ... 158 °F)
Storage temperature	-40 ... 85 °C (-40 ... 185 °F)
Mechanical specifications	
Degree of protection	IP67 according to EN 60529 with IPT*-FP
Connection	screw terminals
Interface cable	up to 1.5 mm ²
Supply	up to 3 x 1.5 mm ²
Material	
Housing	aluminum, black anodized


Connection



Assembly



Matching system components

	IPT1-FP	LF R/W system, fully assembled as configuration and test station
---	----------------	--

Release date: 2020-03-31 Date of issue: 2020-03-31 Filename: 099100_eng.pdf