

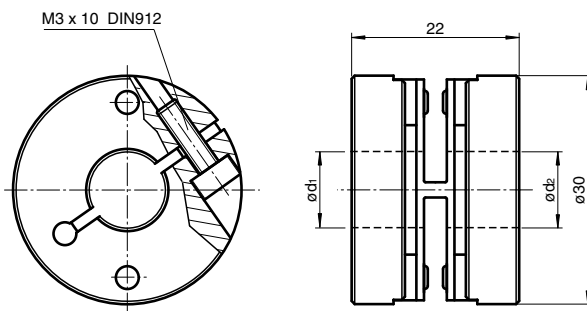
## Coupling

9404 6\*6

- Very high torsion spring stiffness
- Suitable up to 12.000 rpm
- Well misalignment compensation
- Vibration- isolating
- Electrically insulating

Spring disk coupling

### Dimensions



### Technical Data

#### Mechanical specifications

Shaft diameter	d1 = 6 mm , d2 = 6 mm
Material	
Flange	Aluminum
Spring washers	plastic
Mass	approx. 28 g
Rotational speed	max. 12000 min <sup>-1</sup>
Max. torque	0.6 Nm
Radial offset	max. ± 0.3 mm
Axial offset	max. ± 0.4 mm
Angle error	max. ± 2.5 °
Torsional rigidity	50 Nm / rad
Mounting	clamping flange

Release date: 2022-12-10 Date of issue: 2022-12-12 Filename: 105128\_eng.pdf