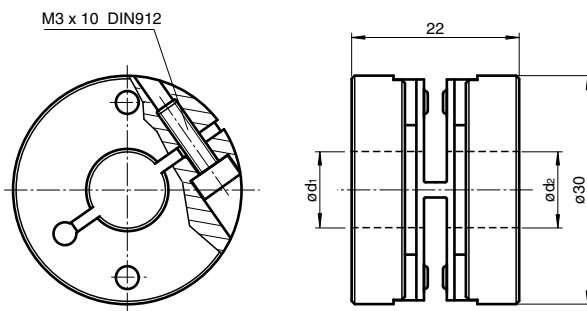


Coupling 9404 10*10

- Very high torsion spring stiffness
- Suitable up to 12.000 rpm
- Well misalignment compensation
- Vibration- isolating
- Electrically insulating

Spring disk coupling

Dimensions



Technical Data

Mechanical specifications	
Shaft diameter	d1 = 10 mm , d2 = 10 mm
Material	
Flange	Aluminum
Spring washers	plastic
Mass	approx. 28 g
Rotational speed	max. 12000 min ⁻¹
Max. torque	0.6 Nm
Radial offset	max. ± 0.3 mm
Axial offset	max. ± 0.4 mm
Angle error	max. ± 2.5 °
Torsional rigidity	50 Nm / rad
Mounting	clamping flange

Release date: 2022-12-07 Date of issue: 2022-12-12 Filename: 105129_eng.pdf