

Timer, Counter, Tachometer

KCT-6ST-C

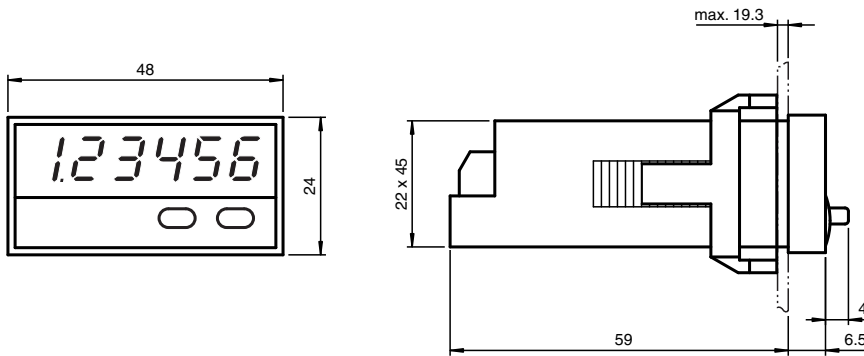


- Counter frequency up to 20 kHz
- LED indicator, red
- 6 decade devices
- Operation via keypad
- Two counter inputs
- Fixing with plug-in frame for easy installation
- Connection via screw terminals
- Manual or external reset
- PNP and NPN sensors can be connected
- Shock resistance in accordance with DIN EN 60068-2-27
- Vibration resistance in accordance with DIN EN 60068-2-6

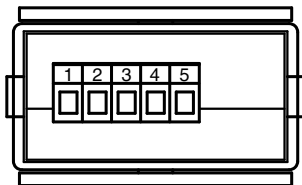
Counter



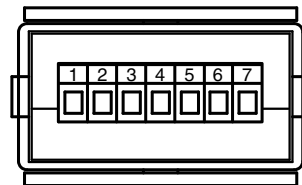
Dimensions



KCT-6S-C



KCT-6ST-C



Technical Data

General specifications

| | |
|---------------|--|
| Pre-selection | single |
| Data storage | 10 ⁶ storage cycles or 10 years, EEPROM |
| Programming | keypad-driven menu |

Indicators/operating means

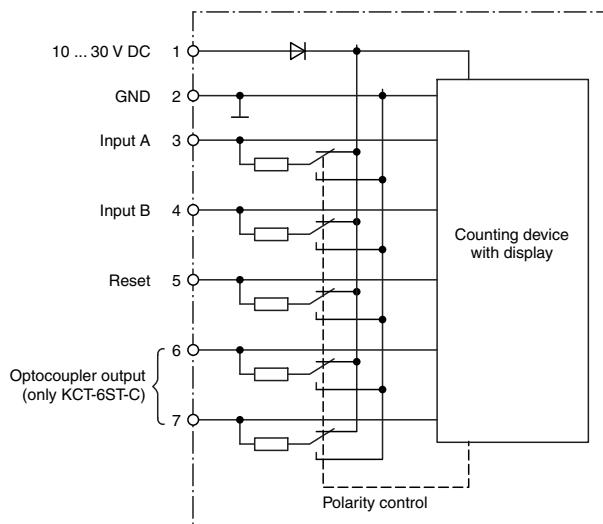
| | |
|------------------|----------------------------------|
| Type | 7-segment LED display, red |
| Number of digits | 6 |
| Display value | digit height 8 mm |
| Pre-selection | active at counter value ≤ 0 |

Release date: 2023-11-21 Date of issue: 2023-11-21 Filename: 105455_eng.pdf

Technical Data

| | | |
|----------------------------------|--|----------------|
| Key interlock | - | |
| Display interval | -199999 ... 999999 with suppression of leading zeros | |
| Decimal point | 0 to max 3 fractional digits | |
| Scale factor | 0.0001 ... 99.9999 | |
| Reset | manually or external | |
| Electrical specifications | | |
| Operating voltage | U_B | 10 ... 30 V DC |
| Power consumption | P_0 | 1.5 W |
| Input | | |
| Counting frequency | 30 Hz / 20 kHz | |
| Impedance | 10 kOhm | |
| Voltage | low: 0 V DC ... 0.2 x supply voltage; high: 0.6 x supply voltage ... 30 V DC | |
| Counting method | adding or subtracting | |
| Output | | |
| Optocoupler | Semiconductor output 30 V, max. 10 mA | |
| Ambient conditions | | |
| Ambient temperature | -10 ... 50 °C (14 ... 122 °F) | |
| Storage temperature | -25 ... 70 °C (-13 ... 158 °F) | |
| Relative humidity | ≤ 80 % (noncondensing) | |
| Mechanical specifications | | |
| Connection | 7-pin screw terminal , max. core cross section 0.34 ... 1.5 mm ² | |
| Mass | 48 g | |
| Dimensions | 48 mm x 24 mm x 65 mm | |
| Mounting | latch fastener | |

Connection



Release date: 2023-11-21 Date of issue: 2023-11-21 Filename: 105455_eng.pdf