



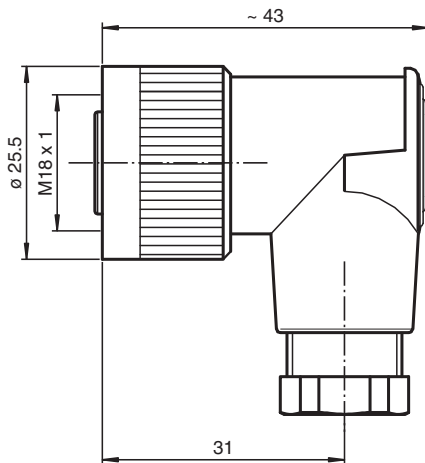
Female connector, field-attachable V18-W

- Screw terminal connection
- UL Recognized Component

Female connector M12 straight 4-pin, for cable diameter 6.5 - 8 mm, field-attachable



Dimensions



Technical Data

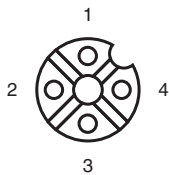
General specifications			
Connector 1			
Connection			socket
Construction type			M18
Style			angled
Locking			screw connection
Number of pins			4
Customization			Coding rotateable in steps of 60°
Electrical specifications			
Operating voltage	U_B		max. 250 V
Operating current	I_B		max. 16 A
Surge protection			Category III
Insulation resistance			min. 100 M Ω
Conformity			
Degree of protection			EN 60529
Approvals and certificates			
UL approval			

Release date: 2024-12-05 Date of issue: 2024-12-05 Filename: 105881_eng.pdf

Technical Data

Maximum permissible operating current	max. 5 A
UL File Number	E363587
Ambient conditions	
Ambient temperature	-25 ... 85 °C (-13 ... 185 °F)
Pollution degree	3
Mechanical specifications	
Plug connector	
Tightening torque	0.6 Nm
Tool installation	straight knurling
Mating cycles	min. 50
Degree of protection	IP67
Connection	screw terminals for max. 1.5 mm ² / AWG 16 PG9 cable gland
Cable	
Sheath diameter	6.5 ... 8 mm
Core cross section	1.5 mm ² / 16 AWG max.
Mass	31.78 g
Material	
Plug connector	
Screw connection	PA
Body	PBT/PA
Contact surface	CuSnZn

Connection Assignment



Connection

