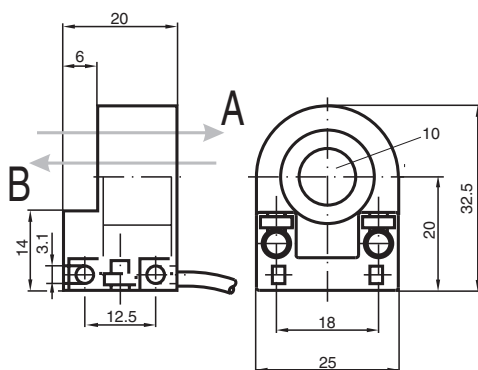


Inductive ring sensor RC10-14-N3-Y95216

- Comfort series
- Bistable
- Direction detection
- 10 mm inside diameter



Dimensions



Technical Data

General specifications

Switching function	Normally closed (NC)
Output type	NAMUR, bistable
Installation	non-flush
Inside diameter	10 mm
Measuring cylinder	
Diameter	1/8" (3.175mm)
Measuring cone	Carboloy/high grade steel
Output type	2-wire

Nominal ratings

Nominal voltage	U _o	8.2 V (R _i approx. 1 kΩ)
Hysteresis	H	typ. 1 %
Reverse polarity protection		reverse polarity protected
Current consumption		
Traverse B		3 mA
Traverse A		1 mA
Time delay before availability	t _v	≤ 5 ms

Compliance with standards and directives

Standard conformity	
---------------------	--

Release date: 2024-05-27 Date of issue: 2024-05-28 Filename: 106545_eng.pdf

Technical Data

NAMUR	EN 60947-5-6:2000 IEC 60947-5-6:1999
Standards	EN IEC 60947-5-2
Approvals and certificates	
ATEX approval	
Equipment protection level Gb	PTB 99 ATEX 2128 X
UL approval	cULus Listed, General Purpose
Ambient conditions	
Ambient temperature	0 ... 40 °C (32 ... 104 °F)
Mechanical specifications	
Connection type	cable
Housing material	PBT
Degree of protection	IP67
Cable	
Bending radius	> 10 x cable diameter
Material	PVC
Core cross section	0.14 mm ²
Length	L 2 m
Dimensions	
Height	32.5 mm
Width	25 mm
Length	20 mm
General information	
Use in the hazardous area	see instruction manuals

Connection

