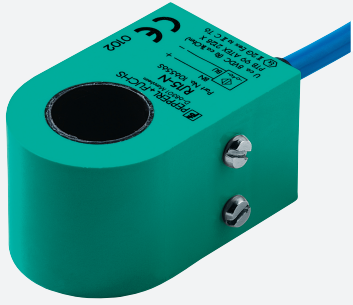


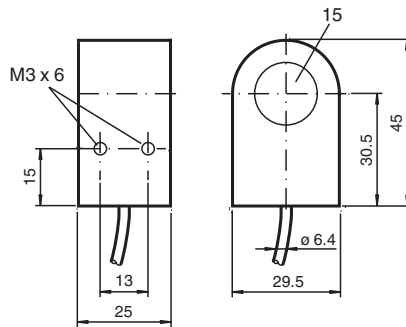
Inductive ring sensor

RJ15-N

- 15 mm inside diameter



Dimensions



Technical Data

General specifications

Switching function	Normally closed (NC)
Output type	NAMUR
Inside diameter	15 mm
Measuring cylinder	
Diameter	3 mm
Length	4 mm
Output type	2-wire

Nominal ratings

Nominal voltage	U_o	8.2 V (R_i approx. 1 k Ω)
Operating voltage	U_B	5 ... 25 V
Switching frequency	f	0 ... 1500 Hz
Current consumption		
Measuring plate not detected		≥ 3 mA at nominal voltage
Measuring plate detected		≤ 1 mA at nominal voltage

Functional safety related parameters

MTTF _d	9340 a
Mission Time (T_M)	20 a
Diagnostic Coverage (DC)	0 %

Compliance with standards and directives

Release date: 2025-05-13 Date of issue: 2025-05-13 Filename: 106556_eng.pdf

Technical Data

Standard conformity		
NAMUR		EN 60947-5-6:2000 IEC 60947-5-6:1999
Standards		EN IEC 60947-5-2
Approvals and certificates		
ATEX approval		
Equipment protection level Gb		PTB 99 ATEX 2128 X
FM approval		
Control drawing		116-0165
UL approval		cULus Listed, General Purpose
Ambient conditions		
Ambient temperature		-25 ... 70 °C (-13 ... 158 °F)
Mechanical specifications		
Connection type		cable
Housing material		PBT
Degree of protection		IP67
Cable		
Cable diameter		4.8 mm ± 0.2 mm
Bending radius		> 10 x cable diameter
Material		PVC
Core cross section		0.34 mm ²
Length	L	2 m
Dimensions		
Height		45 mm
Width		29 mm
Length		25 mm
General information		
Use in the hazardous area		see instruction manuals

Connection

