



**Model number**

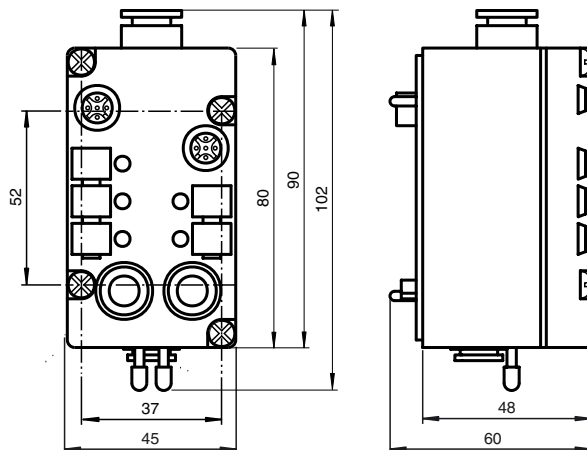
**VAA-2EA-G1-ZE/P-V2A**

Pneumatic module  
2 inputs/2 pneumatic outputs

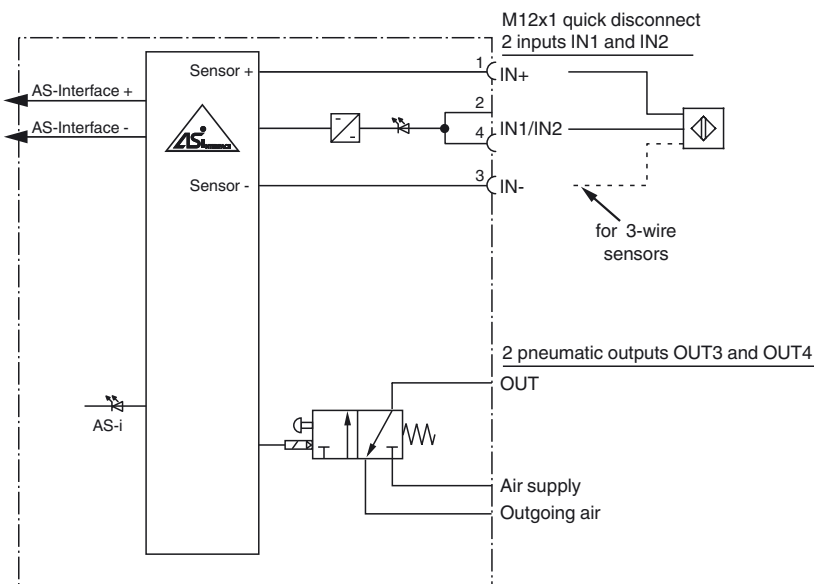
**Features**

- AS-Interface certificate
- Degree of protection IP67
- Flat or round cable connection (via standardized EMS base, not included with delivery)
- Cable piercing method for flat cable
- Inputs for 2- and 3-wire sensors
- Function display for bus, inputs and outputs
- Direct connection of pneumatic cylinders
- Stainless steel version, especially suitable for applications in the food industry
- Guided exhaust

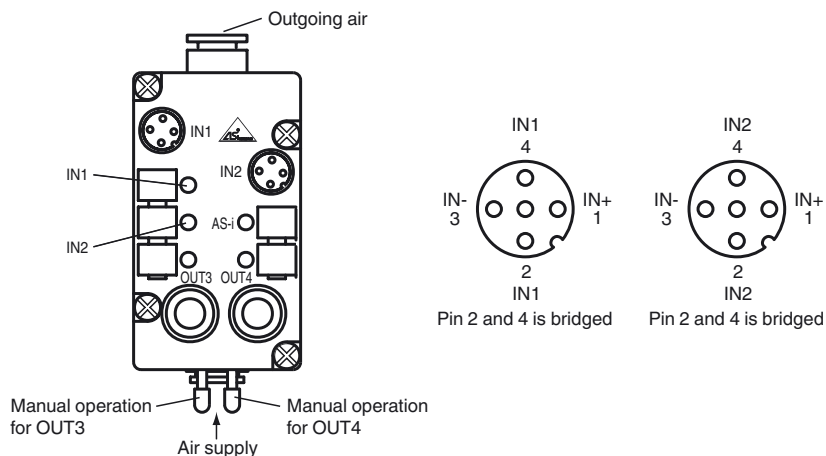
**Dimensions**



**Electrical connection**



**Indicating / Operating means**



ase date: 2020-02-06 11:42 Date of issue: 2020-02-06 107982\_eng.xml

**Technical data****General specifications**

Slave type Standard slave

**Indicators/operating means**LED AS-i AS-Interface voltage; LED green  
LED IN switching state (input); 2 LED yellow  
LED OUT Switching state (output); 2 LED yellow**Electrical specifications**Rated operating voltage  $U_e$  29.5 ... 31.6 V from AS-Interface  
Rated operating current  $I_e$   $\leq 45$  mA (without sensors)**Input**Number/Type 2 inputs for 2- or 3-wire sensors (PNP), DC  
Supply from AS-Interface  
Current loading capacity  $\leq 100$  mA, short-circuit protected  
Switching point OFF:  $\leq 1.5$  mA  
ON:  $\geq 5$  mA,  $\geq 10$  V**Output**

Number/Type 2 pneumatic outputs with separated 3/2-way valves

**Pneumatic output**Venting guide Connector  
Compressed air 2 ... 8 bar, filtered (5  $\mu$ m), oiled or unoled compressed air  
Air throughput 400 l/min**Directive conformity**Electromagnetic compatibility  
Directive 2014/30/EU EN 62026-2:2013**Standard conformity**Degree of protection EN 60529:2000  
AS-Interface EN 62026-2:2013**Programming instructions**Profile S-3.F  
IO code 3  
ID code F  
ID1 code F  
ID2 code F

Data bits (function via AS-Interface)	input	output
D0	IN1	-
D1	IN2	-
D2	-	OUT3
D3	-	OUT4

**Parameter bits (programmable via AS-i)**

function	parameter
not used	P0
not used	P1
not used	P2
not used	P3

**Ambient conditions**Ambient temperature 0 ... 55 °C (32 ... 131 °F)  
Storage temperature -20 ... 85 °C (-4 ... 185 °F)**Mechanical specifications**Degree of protection IP67 according to EN 60529  
Connection cable piercing method or terminals  
flat cable or standard round cable  
inputs: M12 x 1 quick disconnect  
outputs: plug-in hose connector (8 mm)  
Mass approx. 200 g  
Mounting DIN rail or screw mounting**Function**

The VAA-2EA-G1-ZE/P-V2A module has 2 inputs for 2- or 3-wire sensors and 2 pneumatic outputs with a high air throughput rate for direct control of pneumatic drives in the field. Two separate 3/2-way valves are integrated in the module. The valve as well as the sensors connected to the module are supplied via the bus cable.

Sensors are connected to the module with a M12 x 1 quick disconnect, and standard hose plug connectors (LEGRIS LF 3000, 8 mm) connect the outputs to the pneumatic drive.

Various bases are available for the module. Use the U-G1F base to connect to the AS-Interface flat cable, and use the U-G1P base to connect to the round cable.

The output modules must often be mounted in series with the pneumatic module. The outputs of the output modules are supplied externally with power. When this power is transferred through a flat cable, the power cable must be installed in the base of the pneumatic module. The U-G1FF base should be used in this case. The VAA-2EA-G1-ZE/P-V2A uses the AS-Interface cable instead of the power cable.

**Advice:**

Program slave address before installation (preadjust to 0).

Medium: filtered (5  $\mu$ m), oiled or unoled compressed air (2 to 8 bar).

**Warning:**

Hazardous voltage can cause electrical shock and burns. Disconnect power before proceeding with any work on this equipment.

**Accessories****VBP-HH1-V3.0-KIT**

AS-Interface Handheld with accessory

**VBP-HH1-V3.0**

AS-Interface Handheld

**Matching system components****U-G1F**

AS-Interface module mounting base for connection to flat cable (AS-Interface)

**U-G1P**

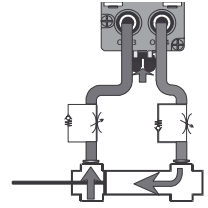
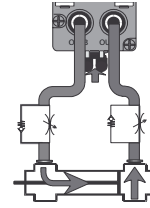
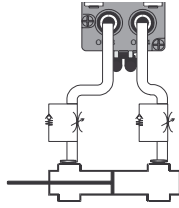
AS-Interface module mounting base for connection to round cable (AS-Interface)

**U-G1FA**

AS-Interface module mounting base with addressing jack for connection to flat cable (AS-Interface)

**Notes**

**Examples for functions of the AS-Interface Airbox**



ase date: 2020-02-06 11:42 Date of issue: 2020-02-06 107982\_eng.xml