

## Ultrasonic -deflector

### UVW90-K30

- Clamp mounting
- 90° sound deflection for difficult installation circumstances
- Universal Orientation

Ultrasonic -deflector

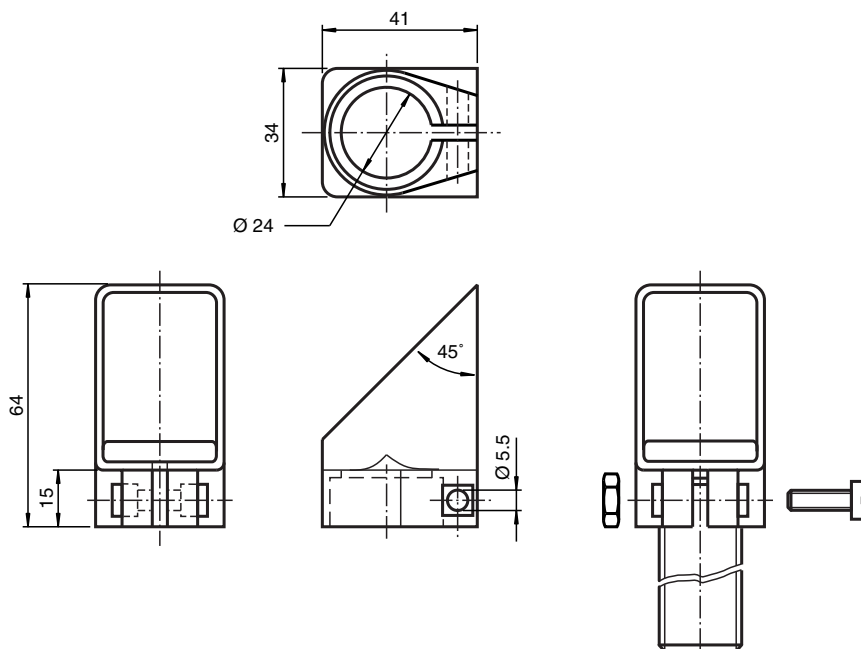
## Function

Sound deflector for cylindrical ultrasonic sensors.

- Clamp mounting
- 90° sound deflection for difficult installation circumstances
- Universal installation position

On the underside of the slope the sound deflector has a hole over the complete width. Falling particle of dust can not congregate in the focusing attachment. The function is also guaranteed in dusty environment.

## Dimensions



## Technical Data

### Mechanical specifications

Material	PMMA
----------	------

**Technical Data**

Mass

40 g