

Ultrasonic -deflector

UVW90-K18

- Clamp mounting
- 90° sound deflection for difficult installation circumstances
- Universal Orientation

Ultrasonic -deflector

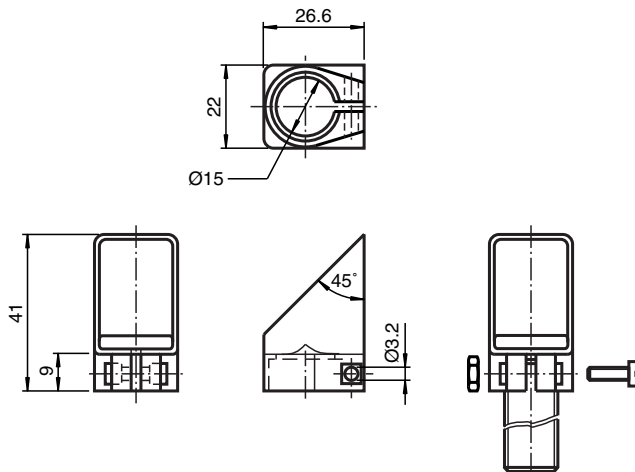
Function

Sound deflector for cylindrical ultrasonic sensors.

- Clamp mounting
- 90° sound deflection for difficult installation circumstances
- Universal installation position

On the underside of the slope the sound deflector has a hole over the complete width. Falling particle of dust can not congregate in the focusing attachment. The function is also guaranteed in dusty environment.

Dimensions



Technical Data

Mechanical specifications

Material	PMMA
----------	------

Technical Data

Mass

15 g