

# RFID Transponder

## IPC02-16



- Battery-free code carrier
- 40 bit fix code
- Readable from both sides
- Degree of protection IP68

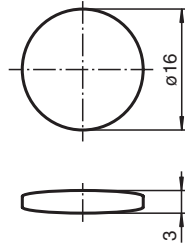
Code carrier



### Application

The transponder can be read from either side.

### Dimensions



### Technical Data

#### General specifications

Operating frequency	125 kHz
Transfer rate	2 kBit/s

#### Memory

Chip Type	EM4102 Unique (EM Microelectronic)
Read cycles	unlimited
Data retention period	> 10 years

#### Directive conformity

Radio equipment	
Directive 2014/53/EU	EN 300330
RoHS	
Directive 2011/65/EU (RoHS)	IEC/EN 63000

#### Standard conformity

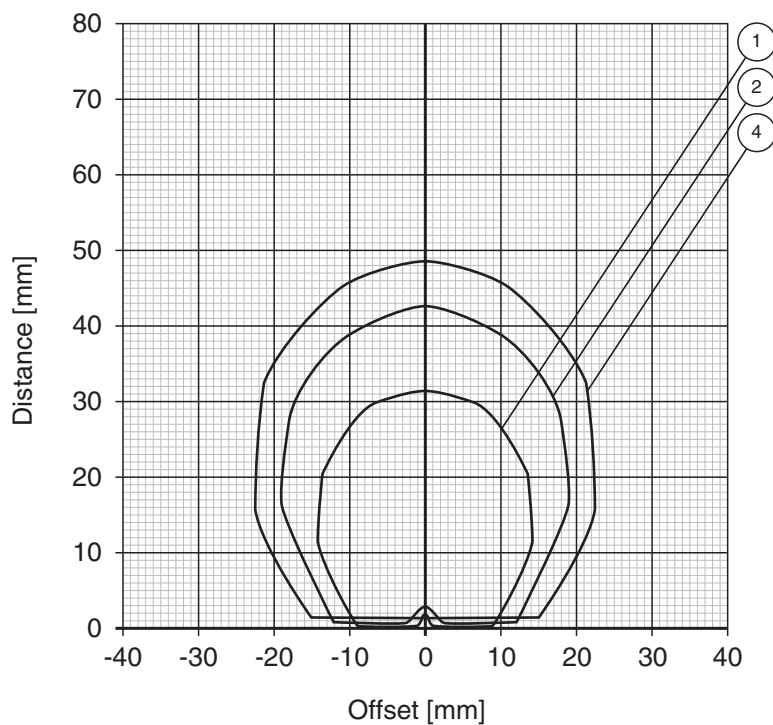
Degree of protection	EN 60529
----------------------	----------

Release date: 2024-06-14 Date of issue: 2024-06-14 Filename: 112426\_eng.pdf

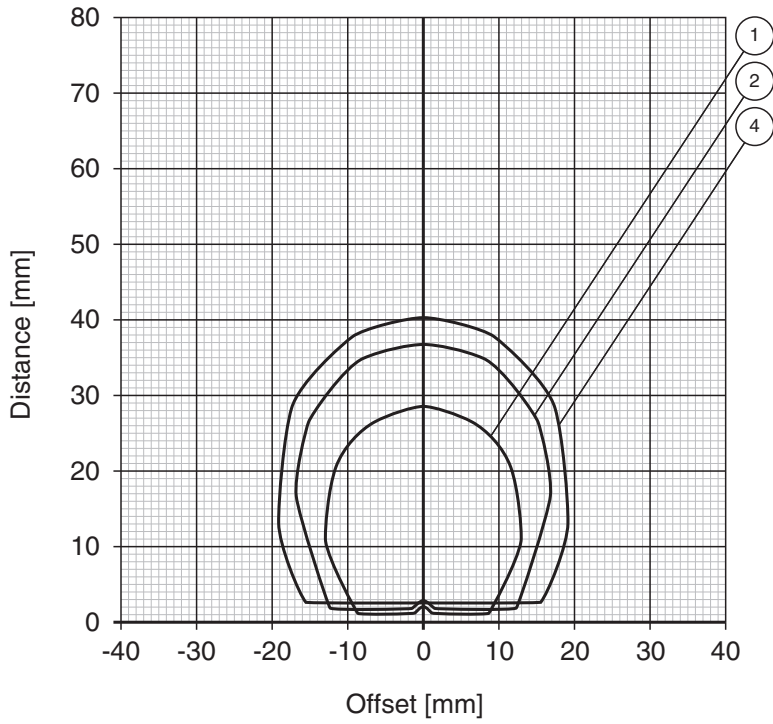
## Technical Data

RFID	ISO/IEC 18000-2
<b>Ambient conditions</b>	
Ambient temperature	-25 ... 85 °C (-13 ... 185 °F)
Storage temperature	-25 ... 100 °C (-13 ... 212 °F)
<b>Mechanical specifications</b>	
Degree of protection	IP68
Material	
Housing	Epoxy (black)
Installation	
On metal	yes
In air	yes
Dimensions	
Height	3 mm
Diameter	16 mm
Construction type	Cylindrical

Read distance in air IPC02-16

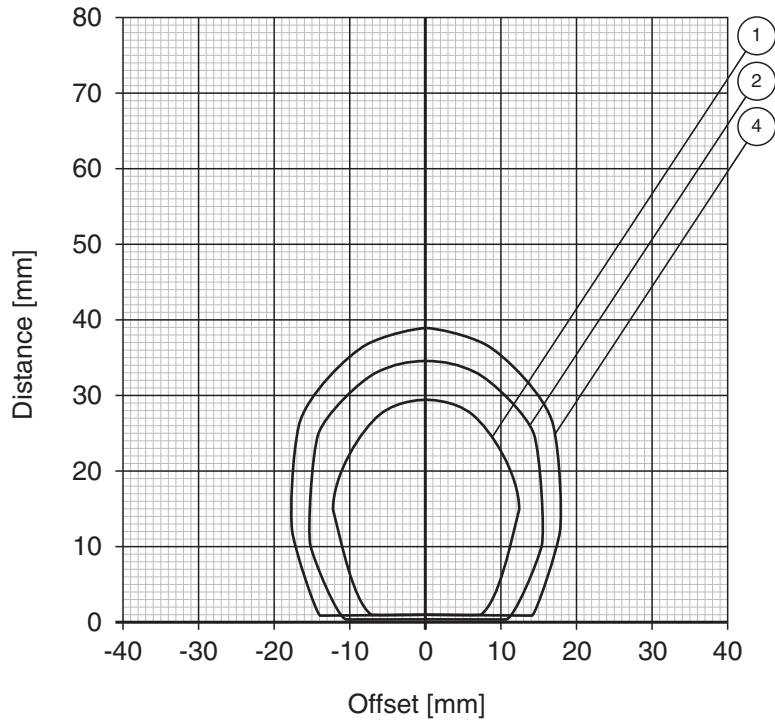


Reading range on aluminium IPC02-16



Release date: 2024-06-14 Date of issue: 2024-06-14 Filename: 112426\_eng.pdf

## Reading range on steel IPC02-16



- |               |             |              |              |
|---------------|-------------|--------------|--------------|
| ① IPH-18GM-V1 | ③ IPH-F61   | ⑤ IPH-FP-V1  | ⑦ IPT1-FP-V1 |
| ② IPH-30GM-V1 | ④ IPH-L2-V1 | ⑥ IPH-F15-V1 |              |