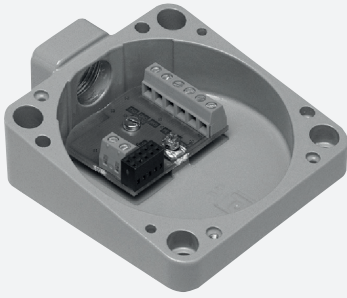


Base for read/write station

U-P4-RX



- Degree of protection IP67
- With serial interfaces RS 232 and RS 485

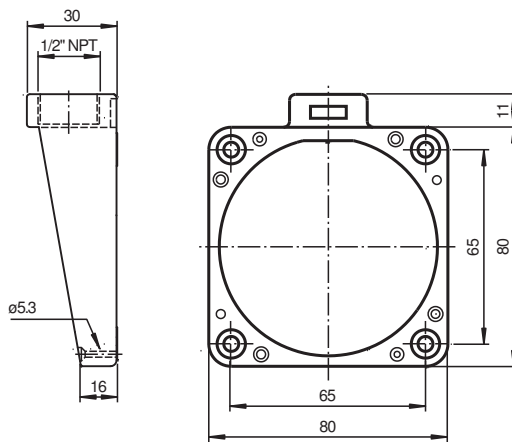
Base with serial interfaces RS 232 and RS 485



Function

The base is used in combination with an upper part, the IPT*-FP read/write station. Either an RS 232- or an RS 485-interface is available. The read/write station is connected to a higher-order control system via the serial interface and receives the commands for writing and/or reading code or data carriers via this interface.

Dimensions



Technical Data

Electrical specifications

Rated operating voltage	U_e	20 ... 30 V DC , ripple 10 % _{SS} , PELV
Power consumption	P_0	max. 4 W with read/write head IPT*-FP
Galvanic isolation		
Operating voltage/interface		functional insulation acc. to DIN EN 50178, rated insulation voltage 50 V _{eff}

Interface

Physical		RS-232/RS-485
Protocol		ASCII
Transfer rate		1200; 2400; 4800; 9600; 19200; 38400
Cable length		≤ 15 m at RS 232 ≤ 1200 m at RS-485

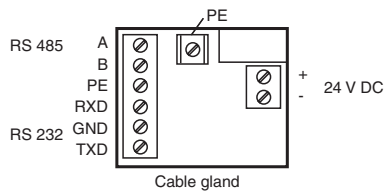
Ambient conditions

Release date: 2020-03-31 Date of issue: 2020-03-31 Filename: 113812_eng.pdf

Technical Data

Ambient temperature	-25 ... 70 °C (-13 ... 158 °F)
Storage temperature	-40 ... 85 °C (-40 ... 185 °F)
Mechanical specifications	
Degree of protection	IP67 according to EN 60529 with IPT*-FP
Connection	screw terminals
Interface cable	3 conductor, acc. to RS-232 or 2 acc. to RS-485
Supply	up to 3 x 1.5 mm ²
Material	
Housing	diecast aluminum

Connection



Programming

Communication with the identification system is very easy with the demo program IDENT 2005. It shows the system options and simplifies commissioning.

The demo program is included in the scope of delivery.