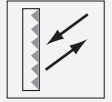




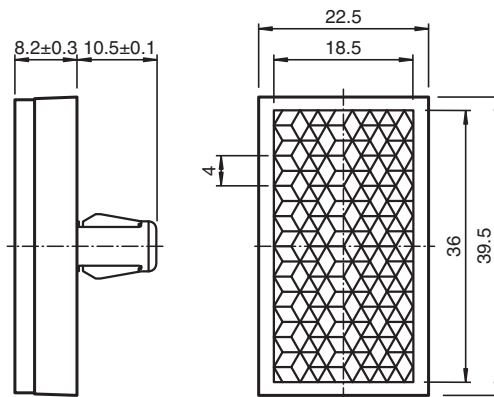
Reflector REF-CLIP40



- Simple installation with snap-in fastener
- Clip suitable for 7 mm drill hole and 1.5 mm ... 2 mm plate thickness

Rectangular reflector, 39.5 mm x 22.5 mm, push-in fixing

Dimensions



Technical Data

General specifications

Construction type rectangular

Ambient conditions

Ambient temperature -40 ... 70 °C (-40 ... 158 °F)

Mechanical specifications

Material PMMA/ABS

Dimensions 39.5 mm x 22.5 mm x 8.2 mm

Mounting Snap-in