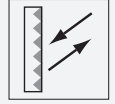


# Reflector

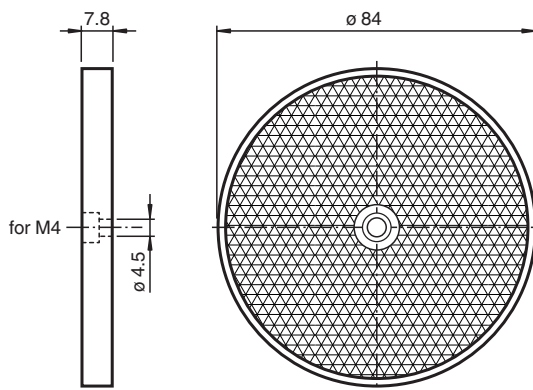
## REF-C110-2



- Mounting holes for simple installation

Reflector, round  $\varnothing$  84 mm, central mounting hole



### Dimensions



### Technical Data

General specifications	
Construction type	circular
Ambient conditions	
Ambient temperature	-30 ... 60 °C (-22 ... 140 °F)
Mechanical specifications	
Material	PMMA/ABS
Dimensions	Diameter: 84 mm
Mounting	mounting hole

### Accessories

	OMH-C110-01	Mounting bracket
	Weather Cap for REF-C110-2	Weather hood for series reflector

Release date: 2022-07-11 Date of issue: 2022-07-11 Filename: 113949\_eng.pdf