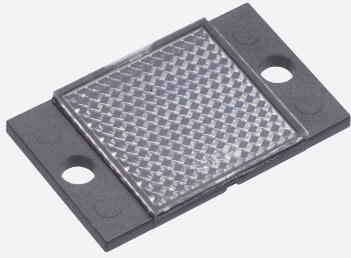
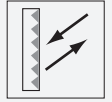


# Reflector with micro-structure

## REF-MH20

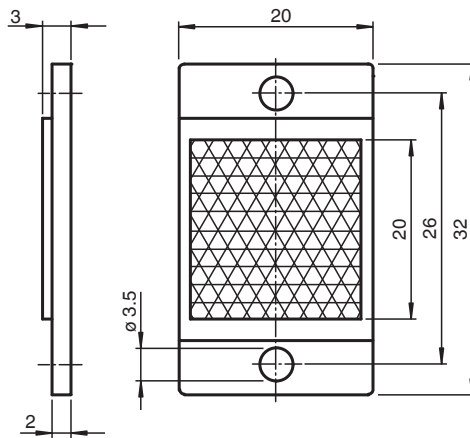


- Mounting holes for simple installation
- Micro-structure



Reflector with Micro-structure, rectangular 32 mm x 20 mm, mounting holes

### Dimensions



### Technical Data

General specifications	
Construction type	rectangular
Tripel height	approx. 1.2 mm
Ambient conditions	
Ambient temperature	-30 ... 85 °C (-22 ... 185 °F)
Mechanical specifications	
Material	PMMA/ABS
Dimensions	32 mm x 20 mm x 3 mm
Mounting	mounting holes

Release date: 2021-12-16 Date of issue: 2021-12-16 Filename: 113952\_eng.pdf