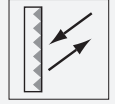


## Reflector with micro-structure

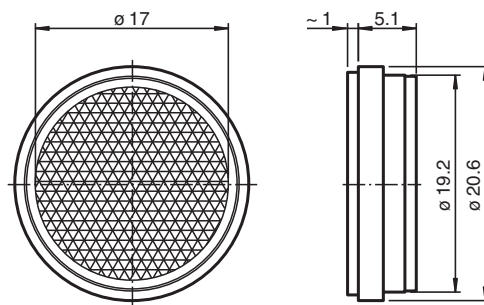
### REF-MA21



- Self-adhesive for simple installation
- Micro-structure

Reflector with Micro-structure, round  $\varnothing$  20.6 mm, self-adhesive

## Dimensions



## Technical Data

### General specifications

Construction type	circular
Tripel height	approx. 1.2 mm

### Ambient conditions

Ambient temperature	-30 ... 85 °C (-22 ... 185 °F)
---------------------	--------------------------------

### Mechanical specifications

Material	PMMA/ABS
Dimensions	Diameter: 20.6 mm
Mounting	self-adhesive