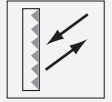




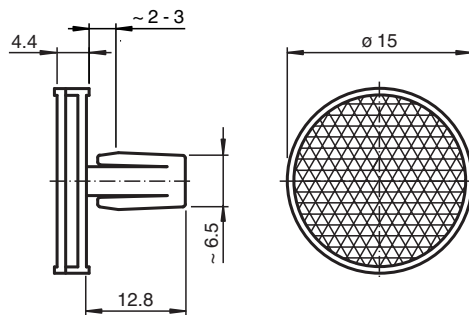
Reflector with micro-structure REF-MCLIP15HT



- Simple installation with snap-in fastener
- Micro-structure
- With extended temperature range up to 110 °C (230 °F)

Reflector with Micro-structure, round \varnothing 15 mm, snap-in, high temperature applications

Dimensions



Technical Data

General specifications	
Construction type	circular
Tripel height	approx. 0.8 mm
Ambient conditions	
Ambient temperature	-20 ... 110 °C (-4 ... 230 °F)
Mechanical specifications	
Material	PC
Dimensions	Diameter: 15 mm
Mounting	Snap-in

Release date: 2020-03-23 Date of issue: 2020-06-29 Filename: 113963_eng.pdf