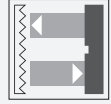




Retroreflective sensor

RL28-55-2547/47

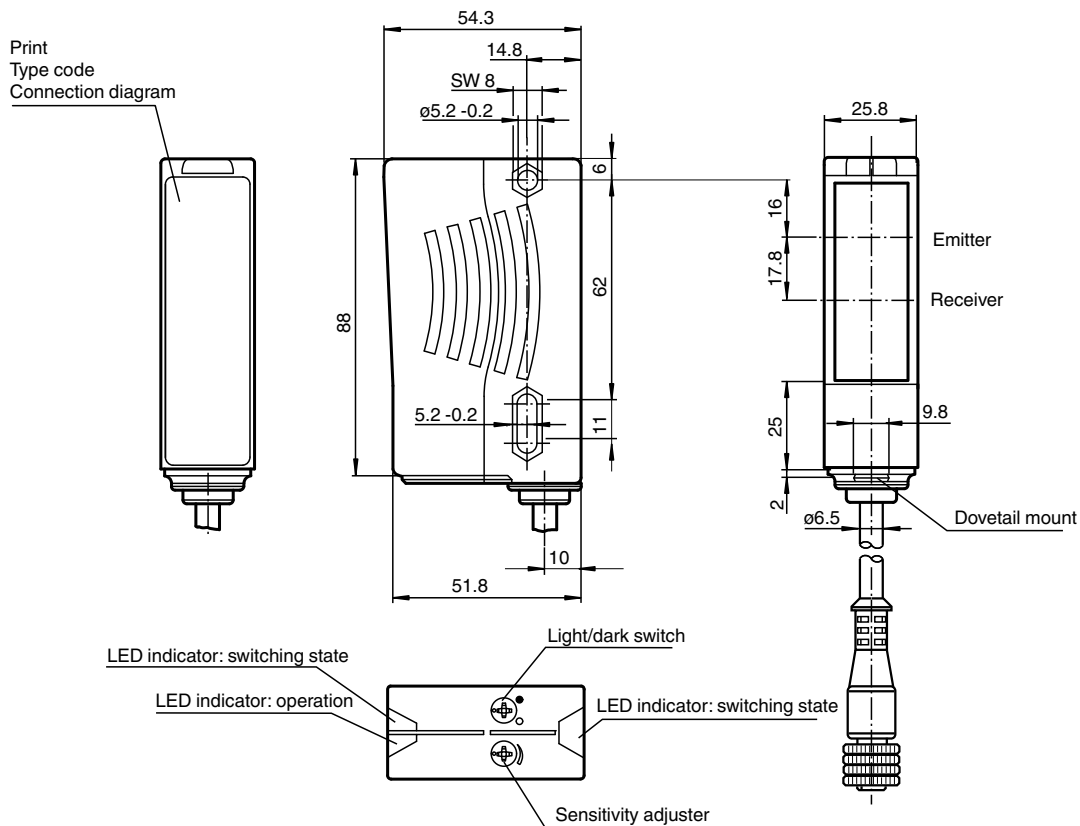


- Sensing range up to 16 m
- Clearly visible LEDs for Power ON, switching state and weak signal indication
- Antivalent outputs
- Sensitivity adjuster and light-on/dark-on changeover switch as standard features of this series
- Not sensitive to ambient light, even with energy saving lamps
- Dove-tail mounts and pass-through mounting holes
- Large temperature range from -40 ... 60 °C (-40 ... 140 °F)
- Waterproof, degree of protection IP67

Retroreflective sensor with polarization filter



Dimensions

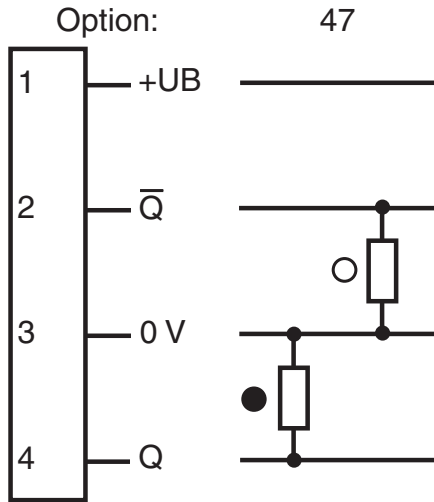


Release date: 2022-10-25 Date of issue: 2022-10-25 Filename: 114249_eng.pdf

Technical Data

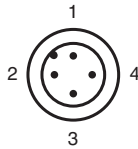
General specifications		
Effective detection range		0 ... 17 m
Reflector distance		0.05 ... 17 m
Threshold detection range		21 m
Reference target		H85-2 reflector
Light source		LED
Light type		modulated visible red light , 660 nm
Polarization filter		yes
Diameter of the light spot		approx. 290 mm at a distance of 17 m
Opening angle		emitter 1.2° receiver 2°
Ambient light limit		80000 Lux
Functional safety related parameters		
MTTF _d		950 a
Mission Time (T _M)		20 a
Diagnostic Coverage (DC)		0 %
Indicators/operating means		
Operation indicator		LED green
Function indicator		2 LEDs yellow, light up when light beam is free, flash when falling short of the stability control, off when light beam is interrupted
Control elements		sensitivity adjustment (Adjustment to < 25% of the effective operating range) , Light-on/dark-on changeover switch
Electrical specifications		
Operating voltage	U _B	10 ... 30 V DC
Ripple		10 %
No-load supply current	I ₀	≤ 40 mA
Output		
Switching type		light/dark on switchable
Signal output		2 PNP, complementary, short-circuit protected, reverse polarity protected , open collectors
Switching voltage		max. 30 V DC
Switching current		max. 200 mA
Switching frequency	f	1000 Hz
Response time		0.5 ms
Conformity		
Product standard		EN 60947-5-2
Approvals and certificates		
EAC conformity		TR CU 020/2011
Protection class		II, rated voltage ≤ 250 V AC with pollution degree 1-2 according to IEC 60664-1
UL approval		E87056 , cULus Listed , class 2 power supply , type rating 1
Ambient conditions		
Ambient temperature		-40 ... 60 °C (-40 ... 140 °F)
Storage temperature		-40 ... 60 °C (-40 ... 140 °F)
Mechanical specifications		
Housing width		25.8 mm
Housing height		88 mm
Housing depth		54.3 mm
Degree of protection		IP67
Connection		fixed cable 230 mm with M12 x 1 male connector, 4-pin
Material		
Housing		Plastic ABS
Optical face		plastic
Mass		70 g

Connection



○ = Light on
● = Dark on

Connection Assignment

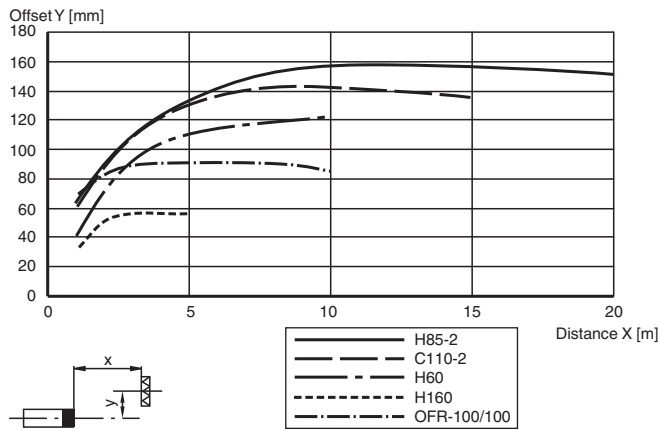


Wire colors in accordance with EN 60947-5-2

1	BN	(brown)
2	WH	(white)
3	BU	(blue)
4	BK	(black)

Characteristic Curve

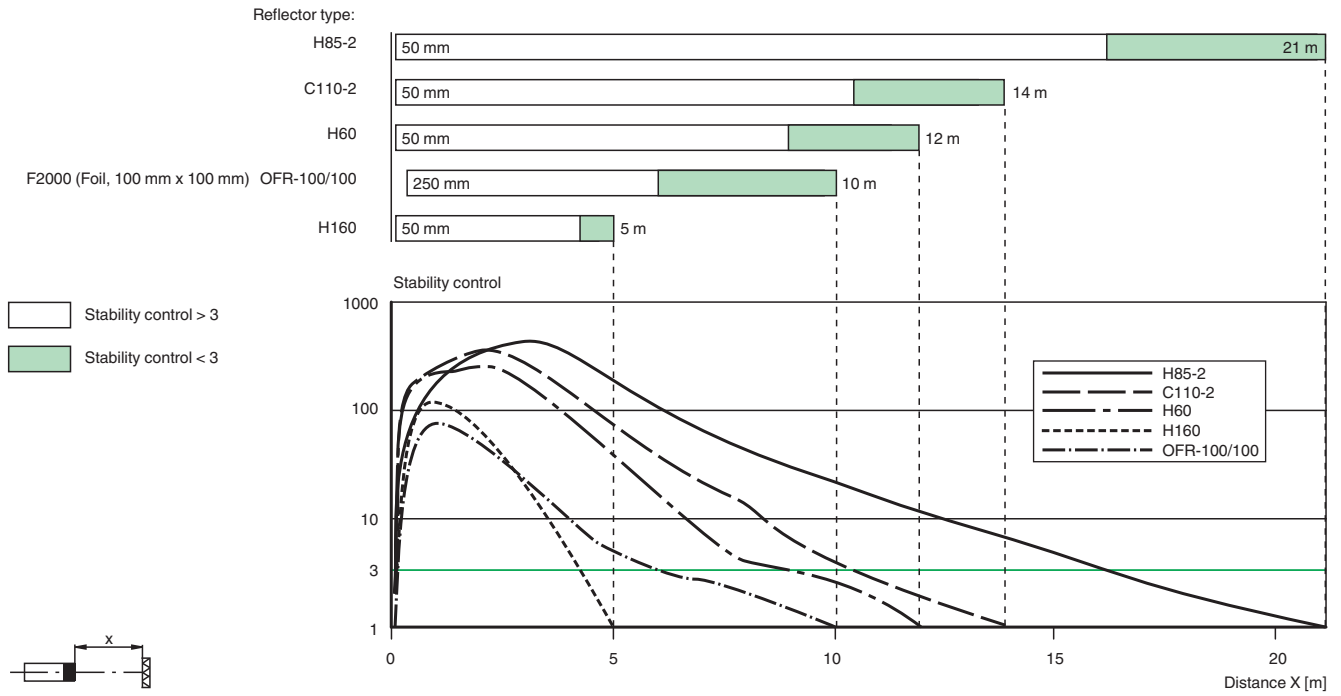
Characteristic response curve








Release date: 2022-10-25 Date of issue: 2022-10-25 Filename: 114249_eng.pdf

Characteristic Curve

Relative received light strength



Accessories

	OMH-05	Mounting aid for round steel \varnothing 12 mm or sheet 1.5 mm ... 3 mm
	OMH-21	Mounting bracket: mounting aid for sensors in the RL* series
	OMH-22	Mounting aid for RL* series
	OMH-RLK29-HW	Mounting bracket for rear wall mounting
	OMH-RL28-C	Weld slag cover model

Release date: 2022-10-25 Date of issue: 2022-10-25 Filename: 114249_eng.pdf