

Connection cable

V1-W-20M-PVC-V1-G

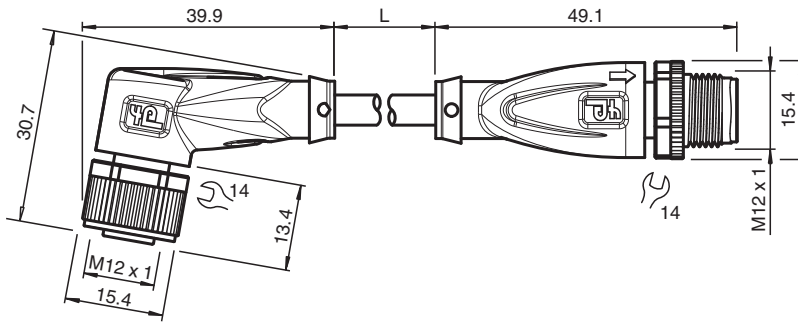


- Degree of protection IP68 / IP69
- Specific design protects against loosening and inaccurate installation

Cordset M12 socket angled to M12 plug straight A-coded, 4-pin, PVC cable grey



Dimensions



Technical Data

General specifications

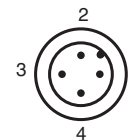
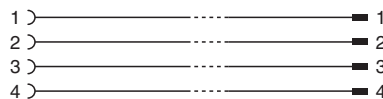
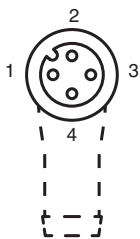
| | | |
|----------------------------------|-------|-------------------------------------|
| Connector 1 | | |
| Connection | | socket |
| Construction type | | M12 |
| Style | | angled |
| Locking | | screw connection |
| Number of pins | | 4 |
| Coding | | A-coded |
| Connector 2 | | |
| Connection | | plug |
| Construction type | | M12 |
| Style | | straight |
| Locking | | screw connection |
| Number of pins | | 4 |
| Coding | | A-coded |
| Electrical specifications | | |
| Operating voltage | U_B | max. 250 V AC/DC |
| Operating current | I_B | max. 4 A |
| Conformity | | |
| Degree of protection | | EN 60529 |
| Plug connection | | connector M12 x 1 : IEC 61076-2-101 |

Release date: 2023-07-13 Date of issue: 2023-07-13 Filename: 114710_eng.pdf

Technical Data

| | | |
|--|---|--|
| Flammability | IEC 60332-2-2 | |
| Ambient conditions | | |
| Ambient temperature | | |
| Plug connector | | -40 ... 90 °C (-40 ... 194 °F) |
| Cable, fixed | | -25 ... 70 °C (-13 ... 158 °F) |
| Cable, flexing | | -5 ... 70 °C (23 ... 158 °F) |
| Pollution degree | 3 | |
| Mechanical specifications | | |
| Plug connector | | |
| Tightening torque | | 0.6 Nm |
| Loosening protection | available | |
| Tool installation | | straight knurling and hexagon nut SW = 14 mm |
| Mating cycles | min. 100 | |
| Degree of protection | IP68 / IP69 | |
| Cable | | |
| according to IEC/EN 60228 (DIN VDE 0295) class 5 | | |
| Sheath diameter | 4.8 mm | |
| Bending radius | > 10 x cable diameter, moving | |
| Sheath stripping force | max. 80 N / 300 mm | |
| Sheath color | grey (similar to RAL 7001) | |
| Number of cores | 4 | |
| Core cross section | 0.34 mm ² | |
| Cores color | Core 1: brown Core 2: white Core 3: blue Core 4: black | |
| Core construction | 19 x 0.15 mm Ø | |
| Length | L | 20 m |
| Cable code | Li Y YM 4 x 0,34 | |
| Material | | |
| Plug connector | | |
| Screw connection | | Zinc diecast, nickel-plated |
| Body | TPU, black | |
| Seal | FKM | |
| Contact surface | gold plated (Au) | |
| Flammability | V-2 | |
| Cable | | |
| Sheathing | PVC | |
| Core insulation | PVC | |
| Flammability | flame-resistant | |

Connection



Accessories

| | | |
|---|------------------------------|--|
|  | MH V1-SCREWDRIVER | Torque screwdriver (0.6 Nm) |
|  | MH V1-BIT M12 | plug-in cap M12 |
|  | V1/V3-LABELHOLDER | Label holder |
|  | V1/V3-LABEL | Label plate |
|  | MH V1-Holder | Modular universal holder for M12 connectors |
|  | V1-CLIP | Unlocking protector for M12 connector |
|  | V1-MARKING-RING-COLOR | Marking rings for M12 connectors, various colors |