



## Mounting aid OMH-RLK29

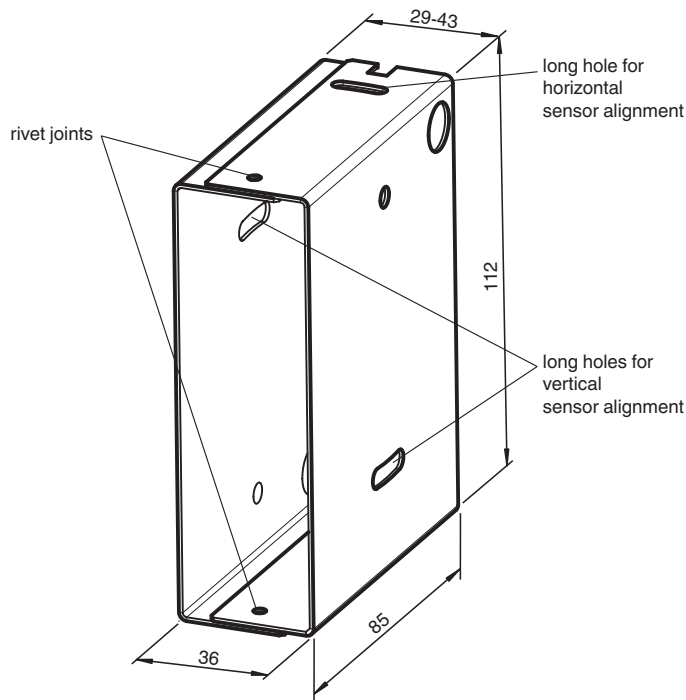


- Mounting bracket
- Simple and fast mounting

Mounting bracket



### Dimensions



### Technical Data

#### Mechanical specifications

Material	Stainless steel
Mass	approx. 85 g
<b>Suitable series</b>	
Series	RLK28 RLK29

Release date: 2020-03-20 Date of issue: 2020-06-29 Filename: 114762\_eng.pdf