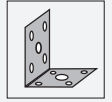


Mounting aid OMH-MLV12-HWK

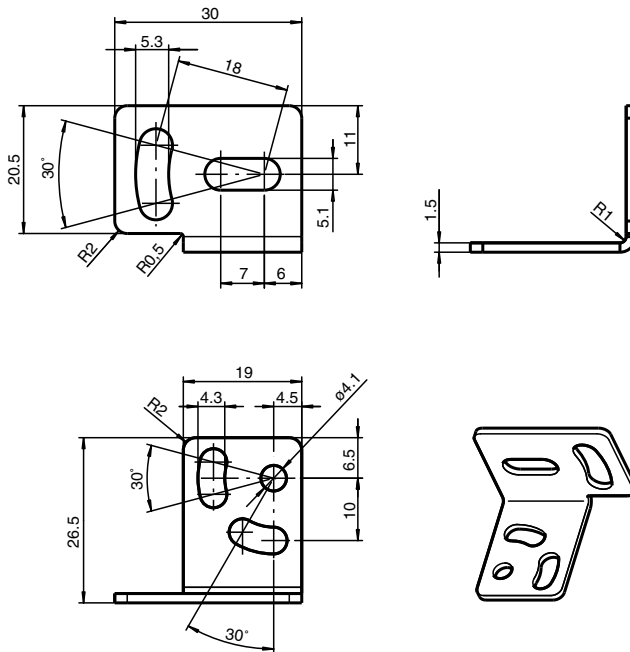


- Mounting bracket
- Simple and fast mounting

Mounting bracket for series MLV12 sensors



Dimensions



Technical Data

Mechanical specifications

Material	nickel-plated steel
Mass	approx. 10 g

Suitable series

Series	MLV12
Safety Series	SL12, SLA12

Release date: 2020-05-04 Date of issue: 2020-06-29 Filename: 115150_eng.pdf