



Mounting aid OMH-MLV12-HWG

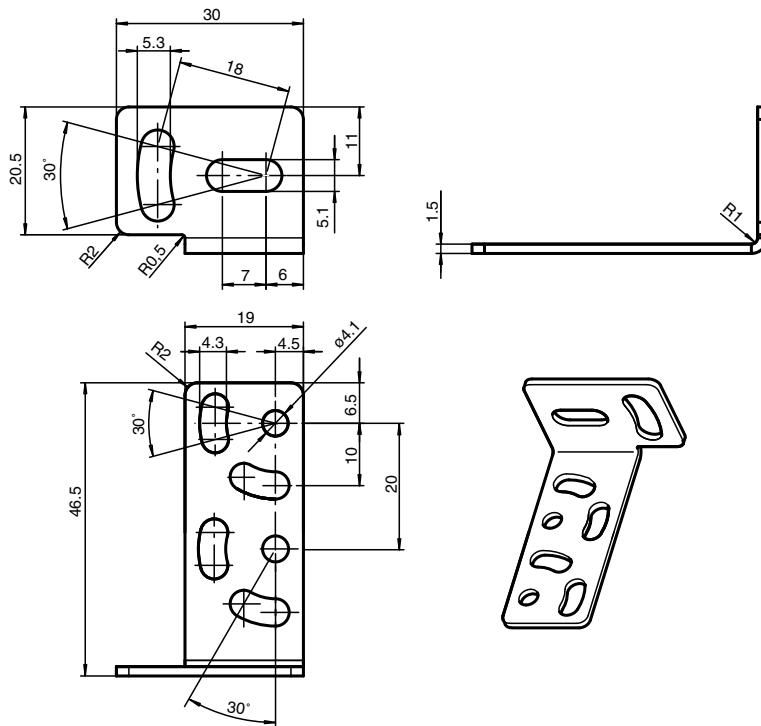


- Mounting bracket
- Simple and fast mounting

Mounting bracket for series MLV12 sensors



Dimensions



Technical Data

Mechanical specifications

Material	nickel-plated steel
Mass	approx. 15 g
Suitable series	
Series	MLV12
Safety Series	SL12, SLA12