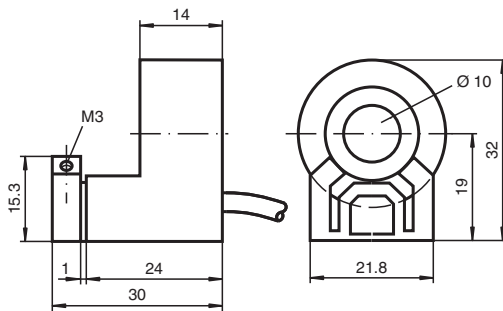


# Inductive ring sensor RC10-14-N3-Y115614

- 10 mm inside diameter
- Bistable
- Direction detection



## Dimensions



## Technical Data

### General specifications

Switching function	Normally closed (NC)
Output type	NAMUR, bistable
Inside diameter	10 mm
Measuring cylinder	
Diameter	1/8" (3.175mm)
Measuring cone	Carboloy
Output type	2-wire

### Nominal ratings

Nominal voltage	$U_o$	8.2 V ( $R_i$ approx. 1 k $\Omega$ )
Operating voltage	$U_B$	5 ... 25 V
Hysteresis	H	typ. 1 %
Reverse polarity protection		reverse polarity protected
Current consumption		
Traverse B		3 mA
Passage B $U_B=8V$		$\geq 3$ mA
Passage B $U_B=10V$		$\geq 4.2$ mA
Traverse A		1 mA
Passage A $U_B=10V$		0.5 ... 1 mA typ. 0.9 mA
Passage A $U_B=8V$		0.5 ... 0.95 mA typ. 0.8 mA
Time delay before availability	$t_v$	$\leq 5$ ms

### Functional safety related parameters

Release date: 2025-05-13 Date of issue: 2025-05-13 Filename: 115614\_eng.pdf

## Technical Data

MTTF <sub>d</sub>		2140 a
Mission Time (T <sub>M</sub> )		20 a
Diagnostic Coverage (DC)		0 %
<b>Compliance with standards and directives</b>		
Standard conformity		
NAMUR		EN 60947-5-6:2000 IEC 60947-5-6:1999
Standards		EN IEC 60947-5-2
<b>Approvals and certificates</b>		
ATEX approval		
Equipment protection level Gb		PTB 99 ATEX 2128 X
UL approval		cULus Listed, General Purpose
<b>Ambient conditions</b>		
Ambient temperature		0 ... 40 °C (32 ... 104 °F)
<b>Mechanical specifications</b>		
Connection type		cable
Housing material		PBT
Degree of protection		IP67
<b>Cable</b>		
Wire end ferrules		yes
Cable diameter		2.6 mm ± 0.2 mm
Bending radius		> 10 x cable diameter
Material		PVC
Color		blue
Number of cores		2
Core cross section		0.14 mm <sup>2</sup>
Length	L	5 m
<b>Dimensions</b>		
Height		32 mm
Width		26 mm
Length		30 mm
<b>General information</b>		
Use in the hazardous area		see instruction manuals

## Connection

