

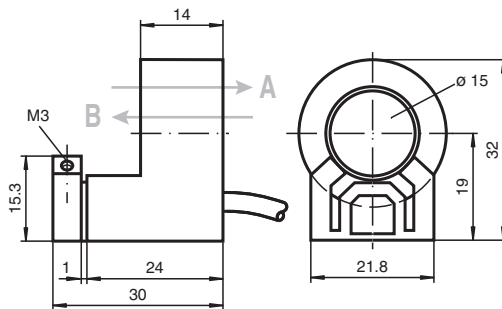
# Inductive ring sensor

## RC15-14-N3-Y115615

- 15 mm inside diameter
- Bistable
- Direction detection



### Dimensions



### Technical Data

#### General specifications

Switching function	Normally closed (NC)
Output type	NAMUR, bistable
Inside diameter	15 mm
Measuring cylinder	
Diameter	1/4" (6.250mm)
Measuring cone	Carboloy
Output type	2-wire

#### Nominal ratings

Nominal voltage	$U_o$	8.2 V ( $R_i$ approx. 1 k $\Omega$ )
Operating voltage	$U_B$	5 ... 25 V
Hysteresis	H	typ. 1 %
Reverse polarity protection		reverse polarity protected
Current consumption		
Traverse B		3 mA
Passage B $U_B=8V$		$\geq 3$ mA
Passage B $U_B=10V$		$\geq 4.2$ mA
Traverse A		1 mA
Passage A $U_B=10V$		0.5 ... 1 mA typ. 0.9 mA
Passage A $U_B=8V$		0.5 ... 0.95 mA typ. 0.8 mA
Time delay before availability	$t_v$	$\leq 5$ ms

#### Functional safety related parameters

MTTF <sub>d</sub>		2240 a
Mission Time ( $T_M$ )		20 a
Diagnostic Coverage (DC)		0 %

#### Compliance with standards and directives

Standard conformity		
---------------------	--	--

Release date: 2025-05-13 Date of issue: 2025-05-13 Filename: 115615\_eng.pdf

## Technical Data

NAMUR	EN 60947-5-6:2000 IEC 60947-5-6:1999
Standards	EN IEC 60947-5-2
<b>Approvals and certificates</b>	
ATEX approval	
Equipment protection level Gb	PTB 99 ATEX 2128 X
UL approval	cULus Listed, General Purpose
<b>Ambient conditions</b>	
Ambient temperature	0 ... 40 °C (32 ... 104 °F)
<b>Mechanical specifications</b>	
Connection type	cable
Housing material	PBT
Degree of protection	IP67
<b>Cable</b>	
Wire end ferrules	yes
Cable diameter	2.6 mm ± 0.2 mm
Bending radius	> 10 x cable diameter
Material	PVC
Color	blue
Number of cores	2
Core cross section	0.14 mm <sup>2</sup>
Length	L 5 m
<b>Dimensions</b>	
Height	32 mm
Width	26 mm
Length	30 mm
<b>General information</b>	
Use in the hazardous area	see instruction manuals

## Connection

