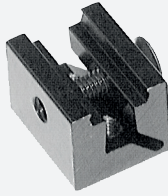


Mounting aid

OMH-K01

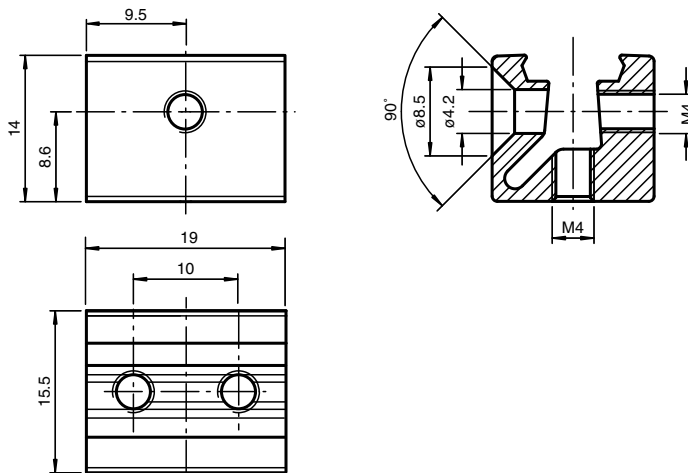


- Mounting clamp
- Simple and fast mounting

dove tail mounting clamp



Dimensions



Technical Data

Mechanical specifications

Material	anodized aluminum
Mass	approx. 10 g
Suitable series	
Series	MLV12
Safety Series	SL12, SLA12

Release date: 2020-03-21 | Date of issue: 2020-06-29 | Filename: 115635_eng.pdf