



## Retroreflective sensor MLV12-54-G/76b/95/128

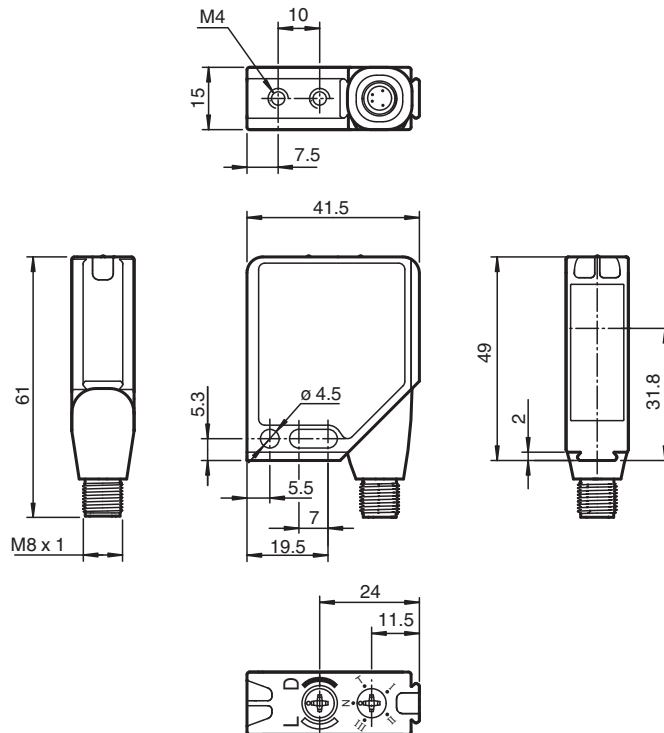


- Series of sensors in a widely used standard housing
- Reliable recognition of reflective objects and clear glass
- TEACH-IN switch for setting the contrast detection levels
- Automatic adjustment in case of soiling in contrast detection mode
- High level of stability thanks to the metal housing frame
- Resistant against noise: reliable operation under all conditions

Retroreflective sensor for glass detection, small design, 5.6 m detection range, red light, light/dark on, push-pull output, test input, M8 plug



### Dimensions



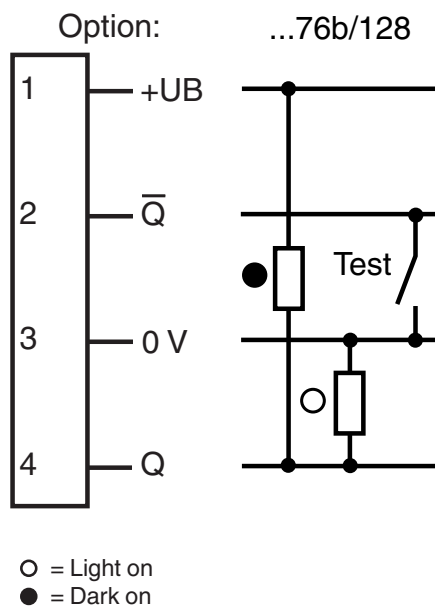
## Technical Data

General specifications		
Effective detection range		0 ... 4.2 m
Reflector distance		0 ... 4.2 m
Threshold detection range		5.6 m
Reference target		H85-2 reflector
Light source		LED
Light type		modulated visible red light , 660 nm
Polarization filter		yes
Diameter of the light spot		approx. 110 mm at detection range 4.2 m
Opening angle		1.5 °
Ambient light limit		
Continuous light		40000 Lux
Modulated light		5000 Lux
Functional safety related parameters		
MTTF <sub>d</sub>		1000 a
Mission Time (T <sub>M</sub> )		20 a
Diagnostic Coverage (DC)		90 %
Indicators/operating means		
Operation indicator		LED green, flashes in case of short-circuit
Function indicator		2 LEDs yellow for switching state, stability control, TEACH-IN and contrast detection mode
Control elements		rotary switch for light/dark, 5-step switch for contrast recognition adjustment
Contrast detection levels		10 % - clean, water filled PET bottles 18 % - clear glass bottles 40 % - colored glass or opaque materials adjustable by Teach-In key or external wire
Electrical specifications		
Operating voltage	U <sub>B</sub>	10 ... 30 V DC
Ripple		max. 10 %
No-load supply current	I <sub>0</sub>	max. 55 mA
Input		
Test input		emitter deactivation at 0 V ( I <sub>max</sub> < 4mA at UB+ = 30 VDC )
Output		
Switching type		light/dark on switchable
Signal output		1 push-pull (4 in 1) output, short-circuit protected, reverse polarity protected
Switching voltage		max. 30 V DC
Switching current		max. 0.2 A
Voltage drop	U <sub>d</sub>	≤ 2.5 V DC
Switching frequency	f	1000 Hz
Response time		0.5 ms
Conformity		
Product standard		EN 60947-5-2
Compliance with standards and directives		
Standard conformity		
Shock and impact resistance		IEC / EN 60068. half-sine, 40 g in each X, Y and Z directions
Vibration resistance		IEC / EN 60068-2-6. Sinus. 10 -150 Hz, 5 g in each X, Y and Z directions
Approvals and certificates		
UL approval		cULus
CCC approval		CCC approval / marking not required for products rated ≤36 V
Ambient conditions		
Ambient temperature		-40 ... 60 °C (-40 ... 140 °F)
Storage temperature		-40 ... 75 °C (-40 ... 167 °F)
Mechanical specifications		
Housing width		41.5 mm

## Technical Data

Housing height	49 mm
Housing depth	15 mm
Degree of protection	IP67
Connection	4-pin M8 metal connector, 90° rotatable
Material	
Housing	Frame: nickel plated, die cast zinc, Laterals: glass-fiber reinforced plastic PC
Optical face	Plastic pane
Mass	60 g

## Connection Assignment



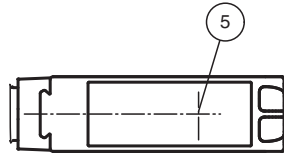
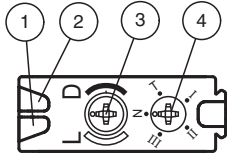
## Connection Assignment



Wire colors in accordance with EN 60947-5-2

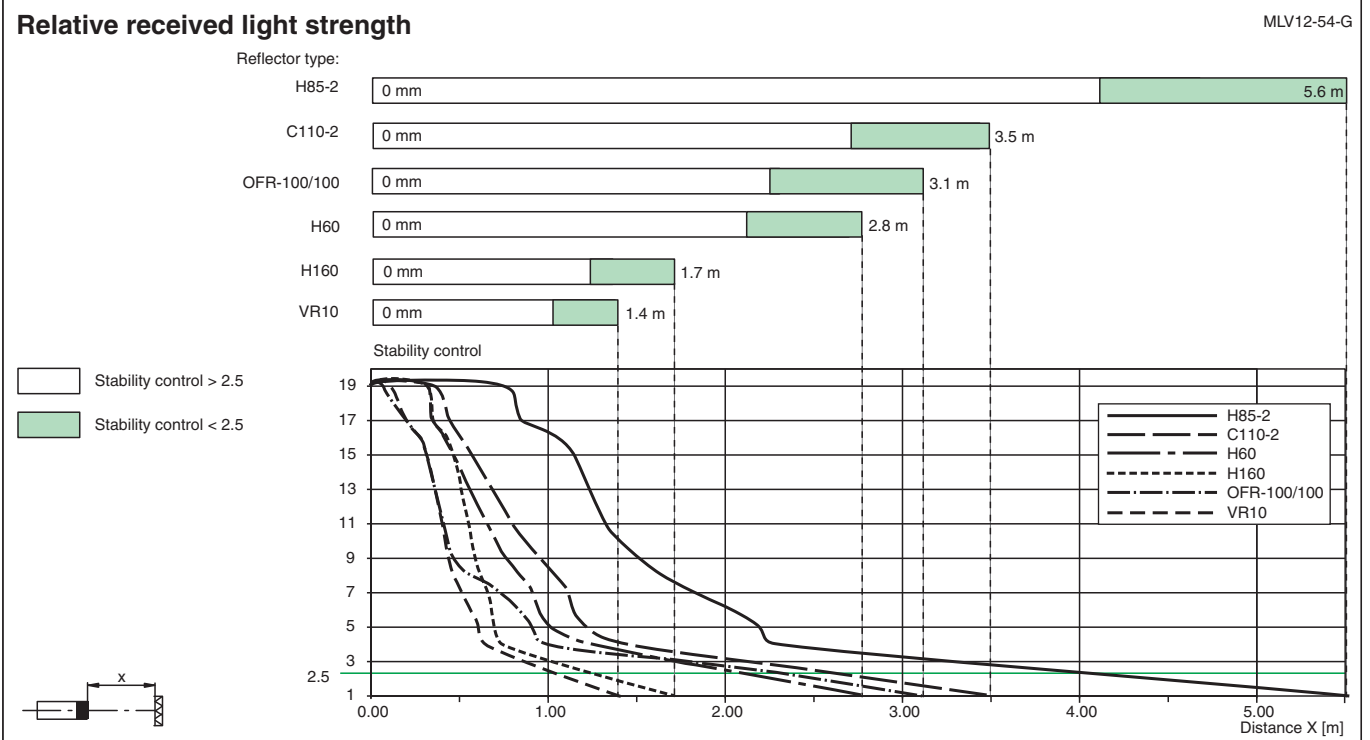
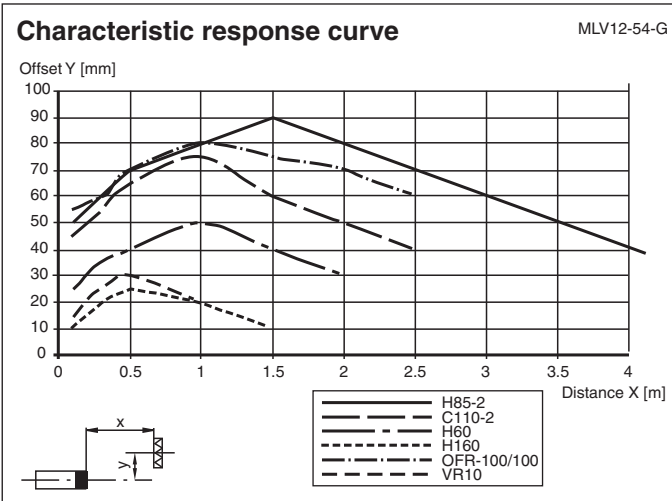
1	BN	(brown)
2	WH	(white)
3	BU	(blue)
4	BK	(black)

Assembly



1	Operating display	green
2	Switch state	yellow
3	Bright/dark switch	
4	Teach-In switch	
5	Optical axis	

Characteristic Curve









Accessories

	<b>OMH-MLV12-HWG</b>	Mounting bracket for series MLV12 sensors
--	----------------------	---

Release date: 2023-04-04 Date of issue: 2023-04-04 Filename: 115793\_eng.pdf

## Accessories

	<b>OMH-MLV12-HWK</b>	Mounting bracket for series MLV12 sensors
	<b>OMH-K01</b>	dove tail mounting clamp
	<b>OMH-K02</b>	dove tail mounting clamp
	<b>OMH-K03</b>	dove tail mounting clamp
	<b>OMH-06</b>	Mounting aid for round steel $\varnothing$ 12 mm or sheet 1.5 mm ... 3 mm
	<b>ORR50G</b>	Reflector, rectangular 50.9 mm x 60.9 mm, mounting holes, fixing strap and polarization filter

## Teach-In

### Switch position "N" (standard operation):

LEDs yellow are lit when the light beam is unobstructed, they flash when the value falls short of the function reserve and they go out when the beam is interrupted.

### Switch position "T" (Teach-in mode):

After 1 s, the yellow LED flashes slowly (approx. 1.5 Hz). The sensor is now ready to be set for a specific contrast detection value by the mechanical switch (pos. I, II or III).

### Switch positions "I", "II" and "III" (contrast detection mode):

Contrast recognition values: I for 10 %, II for 18 %, III for 40 %

1. LED yellow permanently lit: light path unobstructed
2. LED yellow off: element to be sensed detected
3. LED yellow flashes rapidly: detection failure, excessive soiling, function reserve too low.

### Warm-up period:

Any warm-up period can be shortened by repeating the learn (teach) process.

