

Male connector, field-attachable

V15S-G-PG7

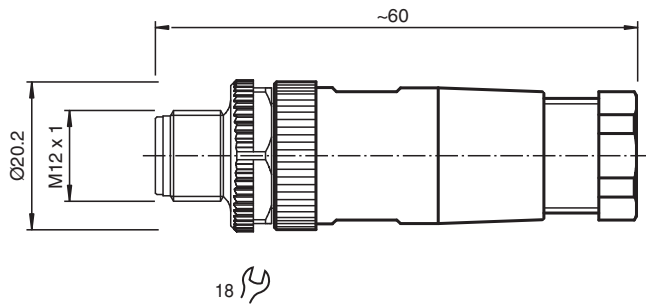


- Screw terminal connection
- Metal locking
- Knurled nut suitable for tool assembly

Male connector M12 straight A-coded 5-pin, for cable diameter 4 - 6 mm, field-attachable



Dimensions



Technical Data

General specifications

| | |
|-------------------|------------------|
| Connector 1 | |
| Connection | plug |
| Construction type | M12 |
| Style | straight |
| Locking | screw connection |
| Number of pins | 5 |
| Coding | A-coded |

Electrical specifications

| | | |
|-----------------------|-------|------------------------|
| Operating voltage | U_B | max. 48 V AC / 60 V DC |
| Operating current | I_B | max. 4 A |
| Insulation resistance | | min. 100 M Ω |

Conformity

| | |
|----------------------|-------------------------------------|
| Degree of protection | EN 60529 |
| Plug connection | connector M12 x 1 : IEC 61076-2-101 |

Ambient conditions

| | |
|---------------------|--------------------------------|
| Ambient temperature | -40 ... 85 °C (-40 ... 185 °F) |
|---------------------|--------------------------------|

Release date: 2025-01-30 Date of issue: 2025-01-30 Filename: 116920_eng.pdf

Technical Data

| | |
|----------------------------------|--|
| Pollution degree | 3 |
| Mechanical specifications | |
| Plug connector | |
| Tightening torque | 0.6 Nm |
| Tool installation | straight knurling , hexagon nut SW = 18 mm |
| Mating cycles | min. 50 |
| Degree of protection | IP67 |
| Connection | screw terminals for max. 0.75 mm ² / AWG 18 |
| Cable | |
| Sheath diameter | 4 ... 6 mm |
| Core cross section | 0.75 mm ² / 18 AWG max. |
| Mass | 22.94 g |
| Material | |
| Plug connector | |
| Screw connection | Zinc diecast, nickel-plated |
| Body | PA, black |
| Contact surface | CuSnZn |

Connection Assignment

