

# Female connector, field-attachable

## V15-WV2A-PG9-Y117132

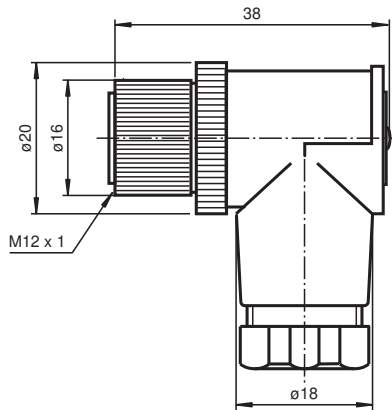


- Stainless steel coupling nut
- Screw terminal connection
- UL Recognized Component

Female connector M12 angled A-coded 5-pin, for cable diameter 6 - 8 mm, field-attachable, screw connection stainless steel



### Dimensions



### Technical Data

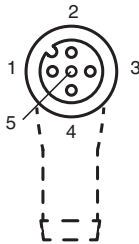
General specifications			
Connector 1			
Connection		socket	
Construction type		M12	
Style		angled	
Locking		screw connection	
Number of pins		5	
Coding		A-coded	
Customization		Coding rotateable in steps of 90°	
Electrical specifications			
Operating voltage	U <sub>B</sub>	max. 30 V DC	
Operating current	I <sub>B</sub>	max. 4 A	
Surge protection		Category II	
Insulation resistance		min. 100 MΩ	
Conformity			
Degree of protection		EN 60529	

Release date: 2024-12-05 Date of issue: 2024-12-05 Filename: 117132\_eng.pdf

## Technical Data

Plug connection	connector M12 x 1 : IEC 61076-2-101
<b>Approvals and certificates</b>	
UL approval	
Maximum permissible operating current	max. 3 A
UL File Number	E363587
<b>Ambient conditions</b>	
Ambient temperature	-40 ... 85 °C (-40 ... 185 °F)
Pollution degree	3
<b>Mechanical specifications</b>	
Plug connector	
Tightening torque	0.6 Nm
Tool installation	straight knurling
Mating cycles	min. 100
Degree of protection	IP67
Connection	screw terminals for max. 0.75 mm <sup>2</sup> / AWG 18 PG9 cable gland
Cable	
Sheath diameter	6 ... 8 mm
Core cross section	0.75 mm <sup>2</sup> / 18 AWG max.
Installation	screw terminals 0.4 Nm pressure nut 1 Nm body 1 Nm
Mass	22.9 g
<b>Material</b>	
Plug connector	
Screw connection	Stainless steel 1.4305 / AISI 303
Body	PA
Contact surface	gold plated (Au)

## Connection Assignment



Connection

