

Inductive ring sensor

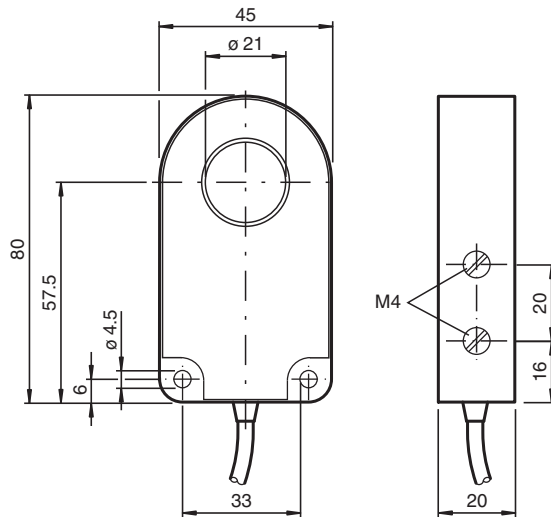
RJ21-E2-0,1M-V1



- 21 mm inside diameter
- Comfort series



Dimensions



Technical Data

General specifications

Switching function	Normally open (NO)
Output type	PNP
Output polarity	DC
Inside diameter	21 mm
Measuring cylinder	
Diameter	6 mm
Length	12 mm
Output type	3-wire

Nominal ratings

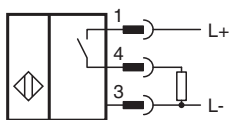
Nominal voltage	U_o	8 V
Operating voltage	U_B	10 ... 30 V
Switching frequency	f	0 ... 1000 Hz
Reverse polarity protection		reverse polarity protected
Short-circuit protection		pulsing

Release date: 2025-05-20 Date of issue: 2025-05-20 Filename: 119771_eng.pdf

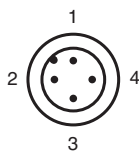
Technical Data

Voltage drop	U_d	$\leq 3 \text{ V}$
Operating current	I_L	0 ... 200 mA
No-load supply current	I_0	$\leq 20 \text{ mA}$
Compliance with standards and directives		
Standard conformity		
Standards		EN IEC 60947-5-2
Approvals and certificates		
UL approval		cULus Listed, General Purpose
Ambient conditions		
Ambient temperature		-25 ... 70 °C (-13 ... 158 °F)
Mechanical specifications		
Connection type		fixed cable with plug
Housing material		PBT
Degree of protection		IP67
Connector		
Threading		M12 x 1
Number of pins		4
Cable		
Cable diameter		4.8 mm \pm 0.2 mm
Bending radius		> 10 x cable diameter
Material		PUR
Color		grey
Number of cores		4
Core cross section		0.34 mm ²
Length	L	100 mm
Dimensions		
Height		80 mm
Width		45 mm
Length		20 mm

Connection



Connection Assignment



Connection Assignment

Wire colors in accordance with EN 60947-5-2

1		BN	(brown)
2		WH	(white)
3		BU	(blue)
4		BK	(black)