

AS-Interface printed circuit board VBA-4E3A-CB-E/E2-S

- A/B node with extended addressing possibility for up to 62 nodes
- Integrated communication monitoring function
- Inputs and outputs short-circuit and overload proof
- No external power supply required
- Connection via screw terminals

Printed circuit board module 4 inputs / 3 outputs



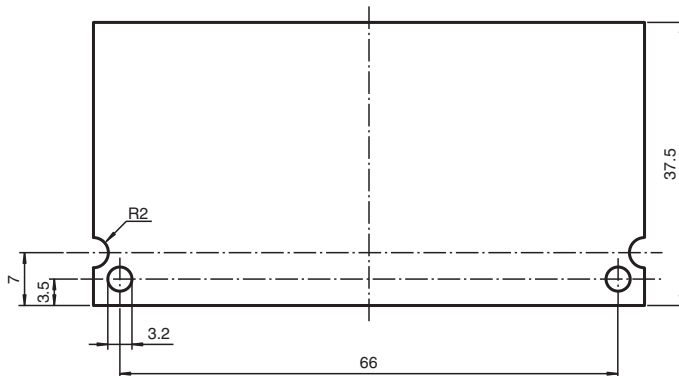
Function

The VBA-4E3A-CB-E/E2-S AS-Interface coupling module is the circuit board solution for an AS-Interface slave. The module is ideal for integration into customer-specific electronics, e. g. keypads, actuators, etc. The circuit board is supplied by the AS-Interface. The inputs and outputs are short-circuit and overload-proof.

Note:

In the case of communication errors on the bus, the outputs are de-energised via an integrated watchdog.
Pepperl+Fuchs can customise connectors and circuit board sizes e. g. for 2EA, 2E1A, ... models to meet your specific applications.

Dimensions



Technical Data

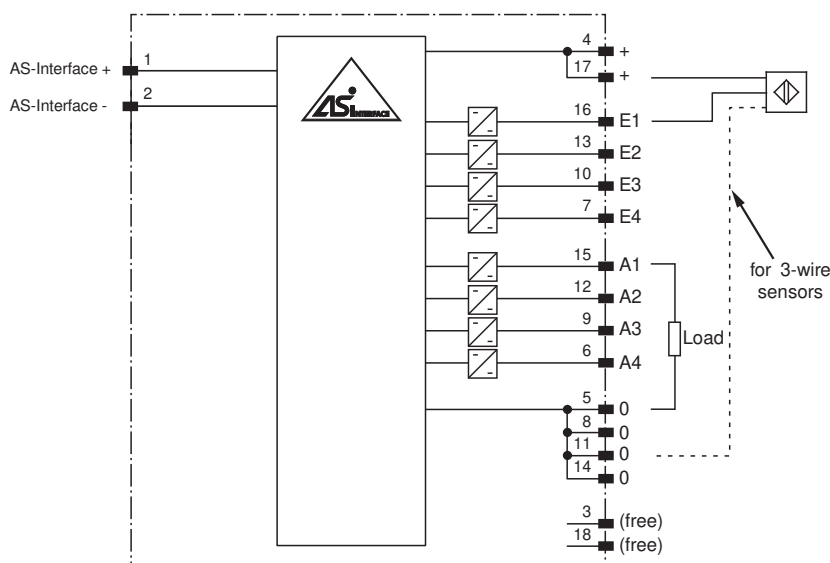
General specifications		
Node type		A/B node
AS-Interface specification		V2.1
Required gateway specification		≥ V2.0
Electrical specifications		
Rated operating voltage	U_e	26.5 ... 31.6 V from AS-Interface
Rated operating current	I_e	≤ 20 mA (without sensors)
Protection class		III
Input		
Number/Type		Four inputs for mechanical contacts, two-wire and three-wire sensors
Supply		from AS-Interface
Voltage		21 ... 31 V
Input current		≤ 8 mA (limited internally)
Switching point		$U_{in} < 2 V$: aus $U_{in} > 10 V$: on

Release date: 2025-02-25 Date of issue: 2025-02-25 Filename: 1211679_eng.pdf

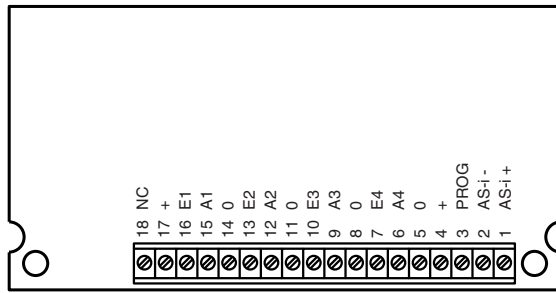
Technical Data

Output	
Number/Type	3 electronic outputs, PNP
Supply	from AS-Interface
Voltage	21 ... 31 V
Current	≤ 80 mA per output, ≤ 80 mA total
Programming instructions	
Profile	S-7.A.E
IO code	7
ID code	A
ID2 code	E
Data bits (function via AS-Interface)	InputOutput
D0	IN1 OUT1
D1	IN2 OUT2
D2	IN3 OUT3
D3	IN4 -
Parameter bits (programmable via AS-i)	function
P0	not used
P1	not used
P2	not used
P3	not used
Ambient conditions	
Ambient temperature	-25 ... 70 °C (-13 ... 158 °F)
Storage temperature	-40 ... 70 °C (-40 ... 158 °F)
Mechanical specifications	
Degree of protection	IP20 (completely fitted) according to EN 60529
Connection	screw terminal strip
Dimensions	
Width	37.5 mm
Length	72.5 mm

Connection



Assembly



Release date: 2025-02-25 Date of issue: 2025-02-25 Filename: 121679_eng.pdf