

Inductive sensor

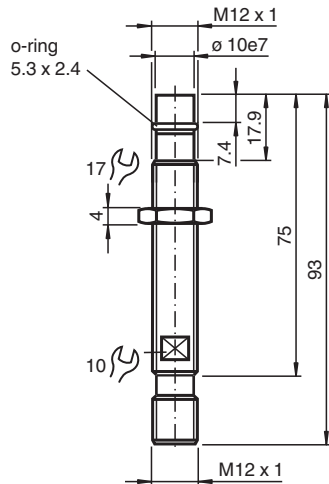
NCB1,5-12GM70-E2-D-V1



- 1.5 mm flush
- Operating pressure 500 bar, peak pressure 1000 bar
- For applications in hydraulic cylinder



Dimensions



Technical Data

General specifications

Switching function		Normally open (NO)
Output type		PNP
Rated operating distance	s_n	1.5 mm
Installation		flush
Output polarity		DC
Output type		3-wire

Nominal ratings

Operating voltage	U_B	10 ... 30 V DC
Switching frequency	f	0 ... 600 Hz
Hysteresis	H	3 ... 15 % typ. 8 %
Reverse polarity protection		reverse polarity protected
Short-circuit protection		pulsing
Voltage drop	U_d	≤ 2 V
Operating current	I_L	0 ... 200 mA
No-load supply current	I_0	≤ 10 mA

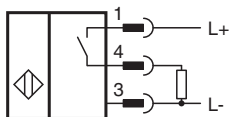
Limit data

Release date: 2024-10-17 Date of issue: 2024-10-17 Filename: 123394_eng.pdf

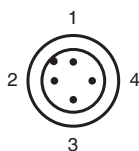
Technical Data

Operating pressure	500 bar (7252 psi)
Peak pressure	1000 bar (14504 psi)
Functional safety related parameters	
MTTF _d	728 a
Mission Time (T _M)	20 a
Diagnostic Coverage (DC)	0 %
Compliance with standards and directives	
Standard conformity	
Standards	EN IEC 60947-5-2
Approvals and certificates	
UL approval	cULus Listed, General Purpose
CSA approval	cCSAus Listed, General Purpose
CCC approval	CCC approval / marking not required for products rated ≤36 V
Ambient conditions	
Ambient temperature	-25 ... 100 °C (-13 ... 212 °F)
Mechanical specifications	
Connection type	Connector plug
Housing material	Stainless steel 1.4305 / AISI 303
Sensing face	Ceramic
Degree of protection	IP68
Connector	
Threading	M12 x 1
Number of pins	4
Mass	42 g
Dimensions	
Length	93 mm
Diameter	12 mm

Connection



Connection Assignment

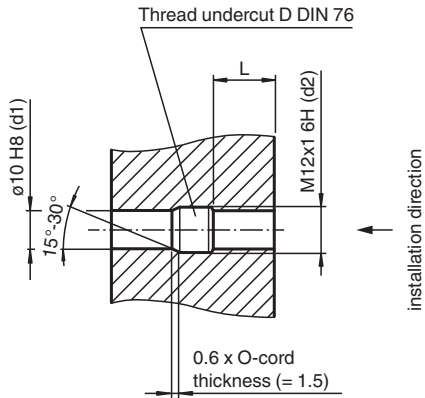


Connection Assignment

Wire colors in accordance with EN 60947-5-2

1	BN	(brown)
2	WH	(white)
3	BU	(blue)
4	BK	(black)

Installation Conditions



L: recommended installation depth: $L \geq 0.8 \times d2$