

# Mounting aid OMH-RLK29-HW

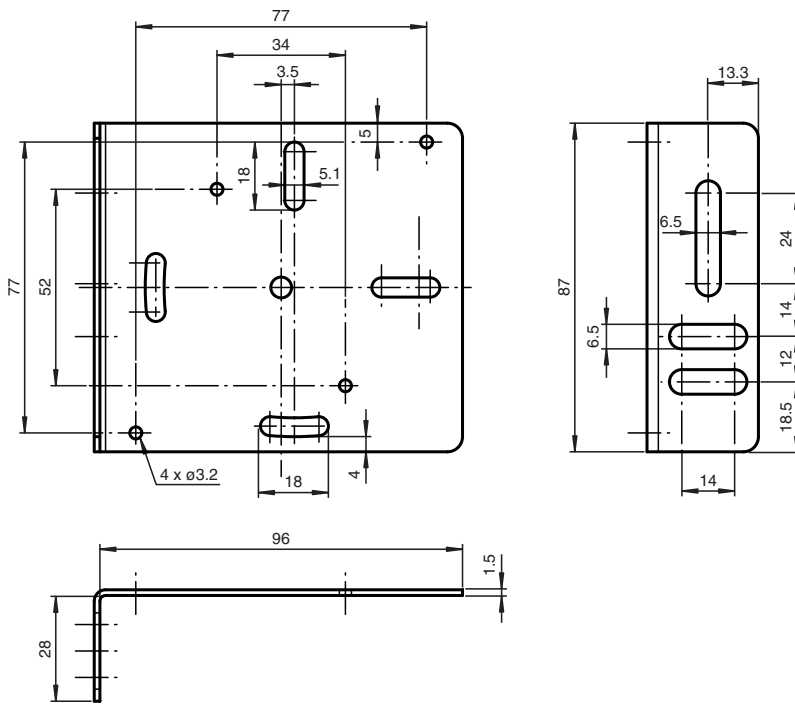


- Mounting bracket
- Simple and fast mounting

Mounting bracket for rear wall mounting



## Dimensions



## Technical Data

### Mechanical specifications

|            |                           |
|------------|---------------------------|
| Material   | Stainless steel           |
| Mass       | approx. 150 g             |
| Dimensions | 87 mm x 97.5 mm x 29.5 mm |

### Suitable series

|                  |                              |
|------------------|------------------------------|
| Series           | RL23<br>RL28<br>RL29<br>RL32 |
| Reflector series | C110-2                       |

Release date: 2020-03-20 Date of issue: 2020-06-29 Filename: 124291\_eng.pdf