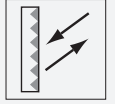


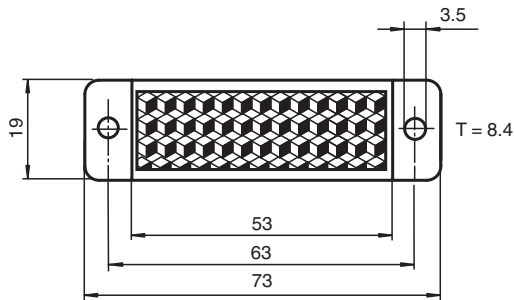
Reflector REF-H72



- Mounting holes for simple installation

Reflector with mounting holes

Dimensions



Technical Data

General specifications	
Construction type	rectangular
Further details	reflectivity 2.0
Ambient conditions	
Ambient temperature	-20 ... 60 °C (-4 ... 140 °F)
Mechanical specifications	
Material	PMMA/ABS
Dimensions	73 mm x 19 mm x 8.4 mm
Height	73 mm
Width	19 mm
Mounting	mounting holes

Release date: 2025-02-27 Date of issue: 2025-02-27 Filename: 124380_eng.pdf