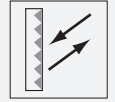


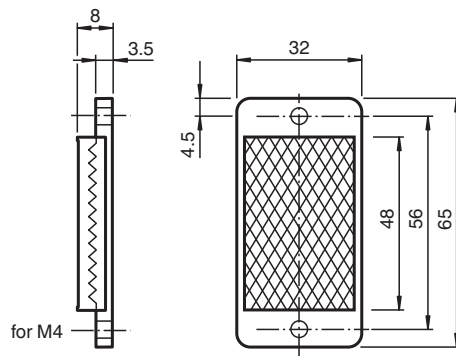
Reflector REF-H65



- Mounting holes for simple installation

Reflector, rectangular 65 mm x 32 mm, mounting holes

Dimensions



Technical Data

General specifications

Construction type rectangular

Ambient conditions

Ambient temperature -20 ... 60 °C (-4 ... 140 °F)

Mechanical specifications

Material PMMA/ABS

Dimensions 65 mm x 32 mm x 8 mm

Mounting mounting holes