

## AS-Interface sensor/actuator module VAA-4E4A-KE-ZE/R

- Housing with removable, mechanical and color coded terminals
- Communication monitoring
- Inputs for 2- and 3-wire sensors
- Isolated relay output
- Addressing jack
- Selectable supply to the sensors: External or from the module
- Function display for bus, internal sensor supply, inputs, and outputs

KE switch cabinet module, 4 inputs (PNP) and 4 relay outputs



### Function

The VBA-4E4A-KE-ZE/R AS-Interface I/O module is a cabinet module with 4 inputs and 4 relay outputs. The only 22.5 mm width housing requires not much space in the switch cabinet. The module is installed by snapping on the 35 mm DIN Rail in accordance with EN 50022.

The connection is made through plug-in terminals. For the inputs and outputs 4-way-terminal blocks (inputs black, outputs red) are used. The connection of the AS-Interface is made via a 2-way-terminal block (yellow). In order to avoid exchanges, the terminals for inputs and outputs as well as AS-Interface are coded mechanically.

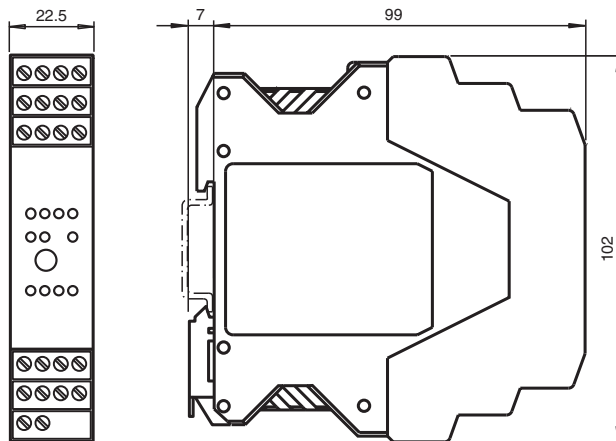
The power supply of the inputs and the connected sensors can be made as required via the internal supply of the module (AS-Interface) or via an external voltage source. The switching is carried out by means of a switch that is positioned at the side of the module. The selection of the internal input supply is indicated via the LED INT. The current switching state of each input and output is indicated by the resp. LED IN and OUT.

**Note:**

The device is equipped with a communication monitoring, which switches the outputs to their de-energized state, when there is no AS-Interface communication with the module for more than 40 ms.

An overloading of the internal input supply will be reported via the function 'peripheral error' to the AS-Interface master. The communication via the AS-Interface remains intact.

### Dimensions



### Technical Data

**General specifications**

Node type	Standard node
AS-Interface specification	V2.1
Required gateway specification	≥ V2.0
Profile	S-7.0
IO code	7
ID code	0

Release date: 2023-03-28 Date of issue: 2023-03-28 Filename: 124422\_eng.pdf

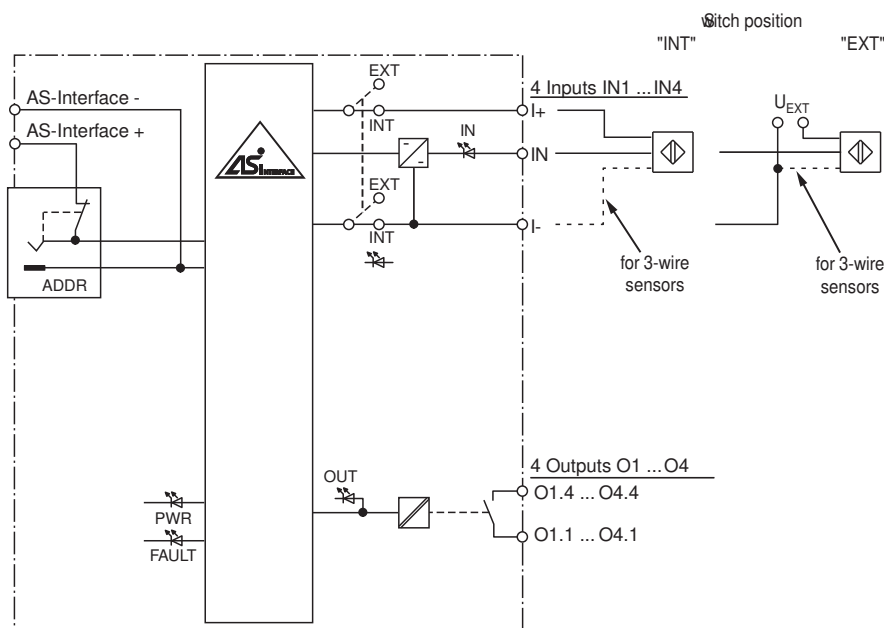
## Technical Data

ID1 code	F
ID2 code	E
UL File Number	E106378
<b>Indicators/operating means</b>	
LED FAULT	Fault display; Red LED red: Communication fault or address is 0 red, flashing: Overload, internal input supply
LED INT	Internal input supply active; LED green
LED PWR	AS-Interface voltage; LED green
LED IN	switching state (input); 4 LED yellow
LED OUT	Switching state (output); 4 LED yellow
<b>Electrical specifications</b>	
Auxiliary voltage (input)	$U_{EXT}$ 12 ... 30 V DC PELV
Rated operating voltage	$U_e$ 26.5 ... 31.6 V from AS-Interface
Rated operating current	$I_e$ ≤ 35 mA (no sensors)/max. 210 mA
Surge protection	O1 ... O4: Over voltage category II $U_{EXT}$ , $U_e$ : Over voltage category III, safe isolated power supplies (PELV)
<b>Input</b>	
Number/Type	4 inputs for 2- or 3-wire sensors (PNP), DC
Supply	from AS-Interface (switch position INT, default settings) or external $U_{EXT}$ (switch position EXT)
Voltage	21 ... 31 V DC (INT)
Current loading capacity	≤ 150 mA, overload- and short-circuit protected (INT)
Input current	≤ 8 mA (limited internally)
Switching point	according to DIN EN 61131-2 (Type 2)
0 (unattenuated)	≤ 2 mA
1 (attenuated)	≥ 4 mA
Signal delay	< 2 ms (input/AS-Interface)
<b>Output</b>	
Number/Type	4 relay outputs, normally open
Supply	none
Nominal load	
Per contact	2 A / 30 V DC (acc. UL max. 24 V DC); 2 A / 253 V AC
Per module	8 A
Control circuit	≤ 8 mA per relay (from AS-Interface)
Switching delay	< 10 ms (AS-Interface/contact)
Usage category	DC-13 and AC-14
Switching	
Mechanical	5 x 10 <sup>6</sup>
Electrical	0.2 x 10 <sup>6</sup> (250 V AC, 2 A, cos φ = 0.4)
<b>Galvanic isolation</b>	
Input/Output	safe isolation, rated insulation voltage 300 V AC
Input/AS-Interface	Switch position INT: None Switch position EXT: reinforced insulation, rated insulation voltage 66 V DC
Output/Output	basic insulation, rated insulation voltage 300 V AC
Output/AS-Interface	safe isolation, rated insulation voltage 300 V AC
<b>Directive conformity</b>	
Electromagnetic compatibility	
Directive 2014/30/EU	EN 62026-2:2013 EN 61326:2003
Low voltage	
Directive 73/23/EEC	EN 60947-1:2007
<b>Standard conformity</b>	
Galvanic isolation	EN 60664-1:2007
Electromagnetic compatibility	NAMUR NE 21: 1998-08
Degree of protection	EN 60529:2000

## Technical Data

Fieldbus standard	EN 62026-2:2013
AS-Interface	EN 62026-2:2013
<b>Ambient conditions</b>	
Ambient temperature	-25 ... 60 °C (-13 ... 140 °F)
Storage temperature	-25 ... 85 °C (-13 ... 185 °F)
Relative humidity	85 % , noncondensing
Climatic conditions	For indoor use only
Altitude	≤ 2000 m above MSL
Pollution degree	2
<b>Mechanical specifications</b>	
Degree of protection	IP20
Connection	removable terminals rated connection capacity: rigid/flexible (with and without wire-end ferrules): 0.25 mm <sup>2</sup> ... 2.5 mm <sup>2</sup> for multiple-wire connection with two wires of equal cross-section: flexible with twin wire-end ferrules: 0.5 mm <sup>2</sup> ... 1.5 mm <sup>2</sup>
<b>Material</b>	
Housing	PA 66-FR
Mass	170 g
Mounting	DIN mounting rail
Tightening torque of clamping screws	0.5 Nm ... 0.6 Nm

## Connection



## Connection

Do not connect inputs and outputs, which are supplied via the module from AS-interface or via auxiliary power, with power supply and signal circuits with external potentials.

## Assembly

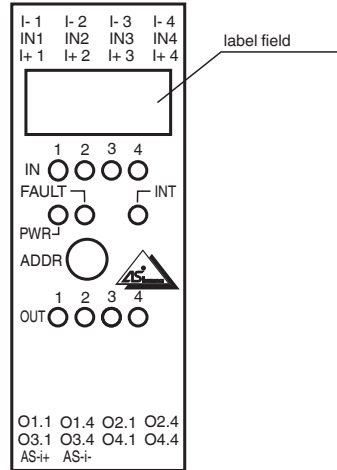
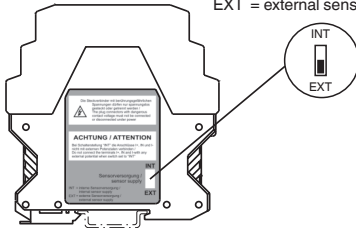


The plug connectors with dangerous contact voltage must not be connected or disconnected under power

**ATTENTION**

Do not connect the terminals I+, IN and I- with any external potential when switch set to "INT"

Sensor supply:  
INT = internal sensor supply (from AS-i)  
EXT = external sensor supply



## Installation

**Installation, commissioning, maintenance**

Install the device within a closed electrical operating facility to which only qualified electricians or trained persons have access. Disconnect or connect plugs in a de-energized state, if they are connected to dangerous contact voltages. Observe the laws or directives and standards applicable to the use or the intended purpose.

**Bundled devices**

Isolation to external surfaces: basic insulation acc. to EN 60947-1, no basic insulation at the terminals.

## Programming

**Data bits**

(function via AS-Interface)

Data bit	Input	Output
D0	IN1	O1
D1	IN2	O2
D2	IN3	O3
D3	IN4	O4

**Parameter bits**

(programmable via AS-Interface)

Parameter bit	Function
P0	Communication monitoring P0=0 monitoring off, the outputs maintain the status if communication fails P0=1 monitoring on, if communication fails, the outputs are deenergised, default setting
P1	Input filter P1=0 input filter on, pulse suppression ≤ 2 ms P1=1 input filter off, default setting
P2	Synchronous mode P2=0 Synchronous mode on P2=1 Synchronous mode off, default setting
P3	not used

## Accessories

	VBP-HH1-V3.0-KIT	AS-Interface Handheld with accessory
	VAZ-PK-1,5M-V1-G	Adapter cable module/hand-held programming device

Release date: 2023-03-28 Date of issue: 2023-03-28 Filename: 124422\_eng.pdf