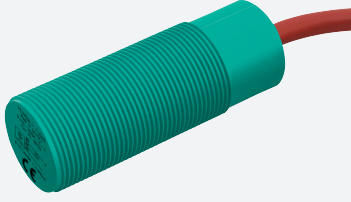


Inductive sensor

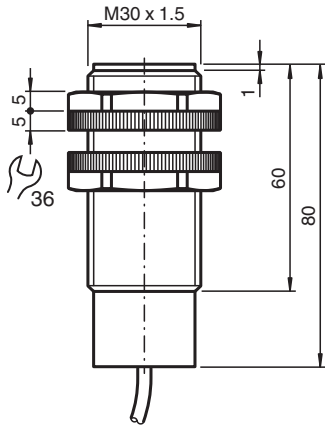
NJ15-30GK-E2-T-5M



- Comfort series
- 15 mm non-flush
- Temperature range
-25 ... 100 °C (-13 ... 212 °F)



Dimensions



Technical Data

General specifications		
Switching function		Normally open (NO)
Output type		PNP
Rated operating distance	s_n	15 mm
Installation		non-flush
Output polarity		DC
Assured operating distance	s_a	0 ... 12.15 mm
Reduction factor r_{Al}		0.4
Reduction factor r_{Cu}		0.3
Reduction factor r_{304}		0.85
Output type		3-wire
Nominal ratings		
Operating voltage	U_B	10 ... 30 V
Switching frequency	f	0 ... 300 Hz
Hysteresis	H	0 ... 8 % typ. 3 %
Reverse polarity protection		reverse polarity protected
Short-circuit protection		pulsing

Release date: 2024-12-10 Date of issue: 2024-12-10 Filename: 124723_eng.pdf

Technical Data

Voltage drop	U_d	$\leq 3 \text{ V}$
Operating current	I_L	0 ... 200 mA
No-load supply current	I_0	$\leq 20 \text{ mA}$
Compliance with standards and directives		
Standard conformity		
Standards		EN IEC 60947-5-2
Approvals and certificates		
UL approval		cULus Listed, General Purpose
Ambient conditions		
Ambient temperature		-25 ... 100 °C (-13 ... 212 °F)
Mechanical specifications		
Connection type		cable
Housing material		PBT
Sensing face		PBT
Degree of protection		IP68
Cable		
Wire end ferrules		yes
Cable diameter		6.8 mm \pm 0.2 mm
Bending radius		> 10 x cable diameter
Material		PUR
Color		black
Number of cores		3
Core cross section		0.75 mm ²
Length	L	5 m
Mass		389 g
Dimensions		
Length		80 mm
Diameter		30 mm

Connection

