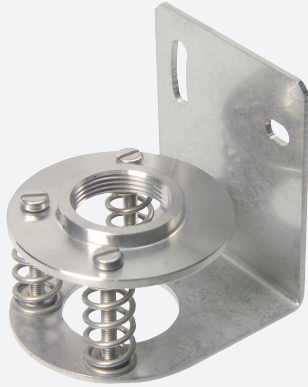


Mounting aid OMH-VL18

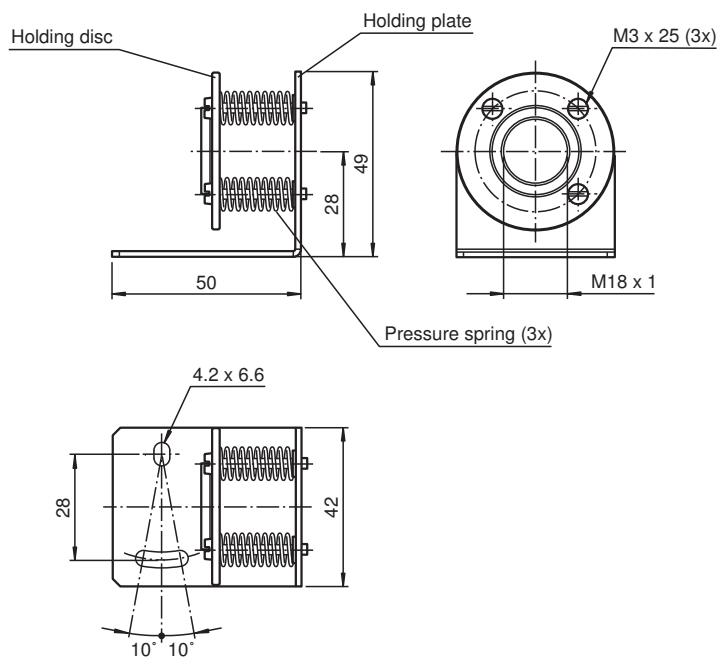
- Simple and fast mounting



Mounting Bracket with swivel nut



Dimensions



Technical Data

General specifications

Inside diameter 18 mm

Mechanical specifications

Material Metal /high-grade steel

Mass approx. 70 g

Dimensions 42 mm x 49 mm x 30 mm

Suitable series

Series VL18