

# Control interface unit

## IC-KP-B6-V15B



- Max. 4 read/write heads connectable
- Alternative 2 read/write heads and 2 trigger sensors can be connected
- LC display with background lightning
- Direct operation via 4 keys
- LED status indicator of bus communication and read/write heads

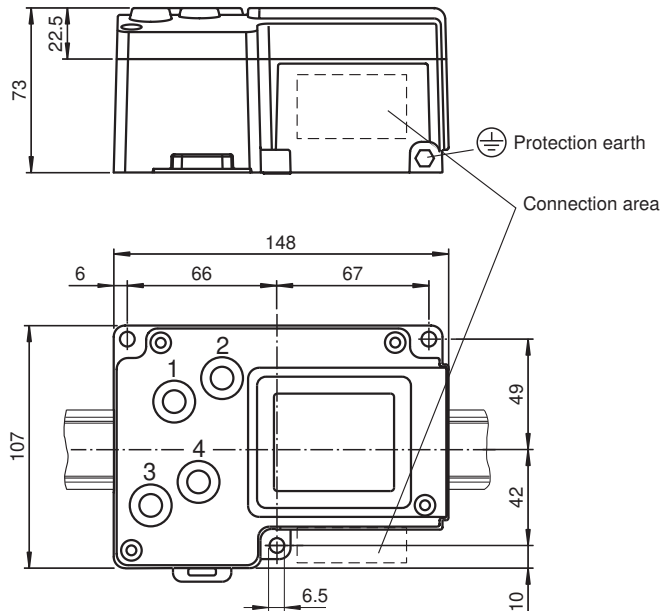
Control interface unit IDENTControl with PROFIBUS DP interface



### Function

The innovative concept of the RFID identification system IDENTControl from Pepperl+ Fuchs has many advantages in comparison to other systems. The core piece of the system is the evaluation unit IDENTControl. Thanks to the integrated interfaces for all standard field bus systems such as PROFIBUS, EtherNet, PROFINET IO, DeviceNet, serial connections (RS 232/RS 485/RS 422) and numerous connection options for inductive write/read heads as well as microwave antennas, the evaluation unit IDENTControl can be adjusted to your needs in a flexible and easy manner. LEDs indicate operating power and bus communication, connected write/read heads and active write/read commands. Mounting the unit onto DIN mounting rails is easy thanks to the snap-fits on the back of the housing of the evaluation unit IDENTControl. With its L-shaped housing, the evaluation unit including bus connector fits into a 120 mm grid in the switch cabinet. The mounting depth of 70 mm furthermore enables installation in flat switch boxes with a depth of only 100 mm. There are 3 further mounting holes for field mounting.

### Dimensions



### Technical Data

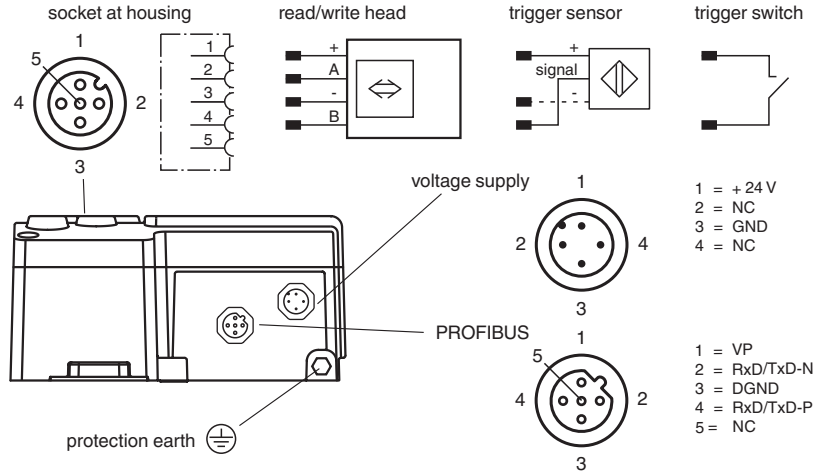
#### General specifications

Release date: 2022-12-15 Date of issue: 2022-12-15 Filename: 126087\_eng.pdf

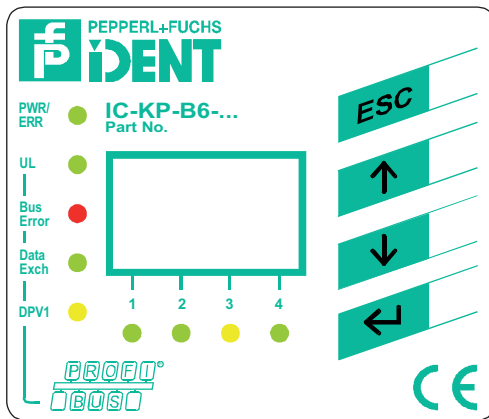
## Technical Data

Number of read/write heads	max. 4 alternative 2 read/write heads and 2 trigger sensors	
UL File Number	E87056	
<b>Indicators/operating means</b>		
LEDs 1, 2, 3, 4	Status indicator for read/write heads green: command at read/write head active yellow: approx. 1 second long, if command was successfully executed	
LED PWR/ERR	green: power on red: Hardware fault	
LED UL	green: Interface Power ON/OK	
LED Bus Error	red: Bus error	
LED Data Exch	green: Slave is at state "Data Exchange"	
LED DPV1	Yellow: not used	
LC display	two-line multi-function display with 12 characters per line configuration of the control interface and display of connected read/write heads as additional pictograms; easy and direct selection of operating commands and addressing	
Button	4 keys: ESC, up, down and return	
<b>Electrical specifications</b>		
Rated operating voltage	$U_e$	20 ... 30 V DC , PELV
Ripple	$\leq 10\%$ at 30 V DC	
Current consumption	$\leq 2$ A incl. read/write heads	
Power consumption	$P_0$	3.5 W Without read/write heads
Galvanic isolation	basic insulation acc. to DIN EN 50178, rated insulation voltage of 50 V <sub>eff</sub>	
<b>Interface</b>		
Physical	RS-485	
Protocol	PROFIBUS DP acc. to EN 50170	
Transfer rate	9.6; 19.2; 93.75; 187.5; 500; 1500 kBit/s 3; 6; 12 Mbit/s self-synchronizing	
<b>Directive conformity</b>		
Electromagnetic compatibility		
Directive 2014/30/EU	EN 61326-1	
RoHS		
Directive 2011/65/EU (RoHS)	IEC/EN 63000	
<b>Standard conformity</b>		
Degree of protection	IEC 60529	
<b>Ambient conditions</b>		
Ambient temperature	-25 ... 70 °C (-13 ... 158 °F)	
Storage temperature	-30 ... 80 °C (-22 ... 176 °F)	
Climatic conditions	air humidity max. 96 % Salt spray resistant to EN 60068-2-52	
Shock and impact resistance	Oscillation (Sine): 5 g, 10 - 1000 Hz to EN 60068-2-6 Shock (Half-sine): 30 g, 11 ms in accordance with EN 60068-2-27	
<b>Mechanical specifications</b>		
Housing length	148 mm	
Housing width	105 mm	
Housing height	73 mm	
Degree of protection	IP67	
Connection	Read/write heads: shielded, 4-pin, M12 connector Power supply: M12 connector Protective earth: M6 earthing screw PROFIBUS: M12 connector, B-coded	
Material		
Housing	powder coated aluminum	
Installation	snap-on to 35 mm standard rail or screw fixing	
Mass	approx. 1000 g	

**Connection**



**Assembly**



**Accessories**

	<b>V1-G-2M-PUR-ABG-V1-W</b>	Cordset M12 socket straight to M12 plug angled A-coded, 4-pin, PUR cable grey, shielded
	<b>V1-G-10M-PUR-ABG-V1-W</b>	Cordset M12 socket straight to M12 plug angled A-coded, 4-pin, PUR cable grey, shielded
	<b>V15B-G-5M-PUR-ABG-V15B-G</b>	PROFIBUS bus cable M12 socket straight to M12 plug straight B-coded, 5-pin, PUR cable 2-core violet, shielded
	<b>V1-G-5M-PUR</b>	Female cordset single-ended M12 straight A-coded, 4-pin, PUR cable grey
	<b>V1-G-5M-PUR-ABG-V1-W</b>	Cordset M12 socket straight to M12 plug angled A-coded, 4-pin, PUR cable grey, shielded
	<b>V1-G-5M-PUR-ABG</b>	Female cordset single-ended M12 straight A-coded, 4-pin, PUR cable grey, shielded
	<b>ICZ-3T-0,3M-PUR ABG-V15B-G</b>	Y connection cable for PROFIBUS

Release date: 2022-12-15 Date of issue: 2022-12-15 Filename: 126087\_eng.pdf

**Accessories****ICZ-2T/TR-0,2M-PUR  
ABG-V15B-G**

Terminal cable for PROFIBUS with terminal resistor