

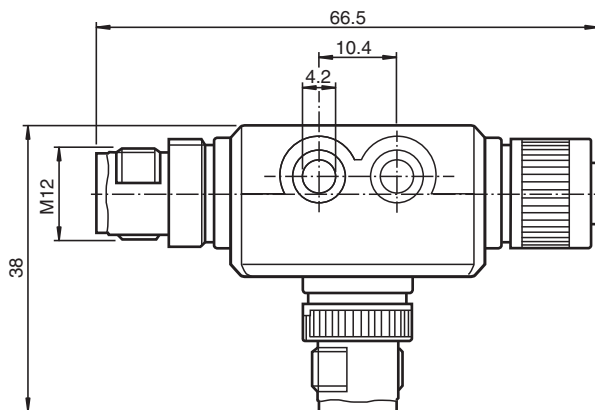


T-Distributor ICZ-3T-V15B

- Direct coupling of t-pieces
- Completely screened
- M12 round connection for BUS (B-coded)
- Immunity to vibration
- Data transmission up to 12 MBaud

T-Distributor for PROFIBUS

Dimensions

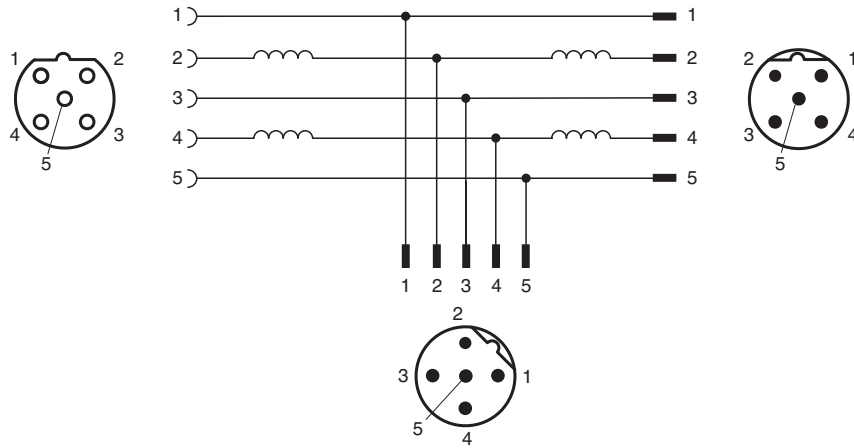


Technical Data

General specifications	
Number of pins	5
Transfer rate	up to 12 MBit/s
Ambient conditions	
Ambient temperature	-40 ... 80 °C (-40 ... 176 °F) briefly to 250 °C (482 °F)
Mechanical specifications	
Degree of protection	IP67
Connection	M12 connector/socket, 5-pin, B-coded for PROFIBUS
Material	
Contacts	CuZn, gold-plated
Housing	PUR, oil resistant
Slotted nut	CuZn, nickel-plated

Release date: 2020-03-21 Date of issue: 2020-03-27 Filename: 126294_eng.pdf

Connection



Release date: 2020-03-21 | Date of issue: 2020-03-27 | Filename: 126294_eng.pdf