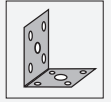
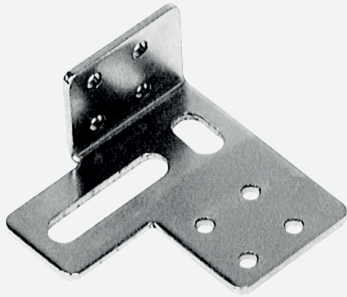


Mounting aid

OMH-ML6

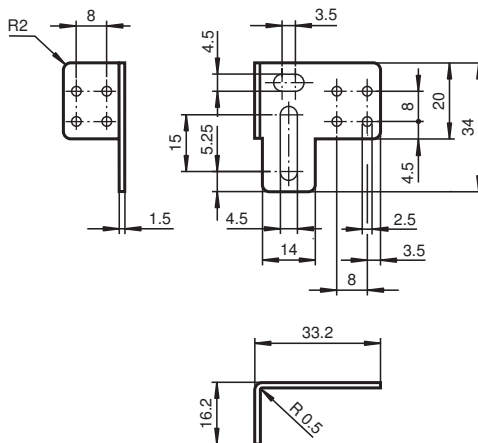


- Mounting bracket
- Simple and fast mounting

Mounting bracket



Dimensions



Technical Data

Mechanical specifications	
Material	nickel-plated steel
Mass	approx. 10 g
Suitable series	
Series	ML6 ML4.1 ML4.2

Release date: 2020-06-24 Date of issue: 2020-06-29 Filename: 127829_eng.pdf