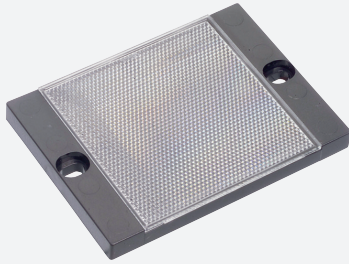
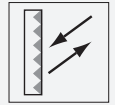


Reflector with micro-structure

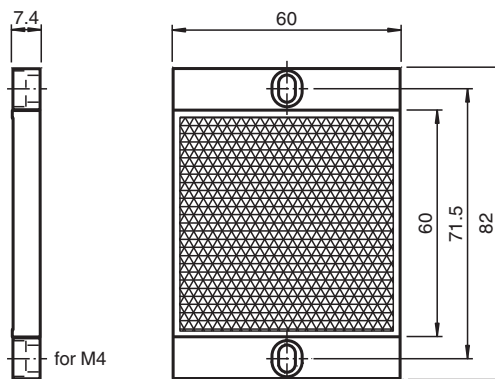
REF-MH82



- Mounting holes for simple installation
- Micro-structure

Reflector with Micro-structure, rectangular 82 mm x 60 mm, mounting holes

Dimensions



Technical Data

General specifications

Construction type rectangular

Ambient conditions

Ambient temperature -30 ... 85 °C (-22 ... 185 °F)

Mechanical specifications

Material PMMA/ABS

Dimensions 82 mm x 60 mm 7.4 mm

Mounting mounting holes