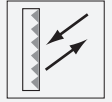


Reflector with micro-structure

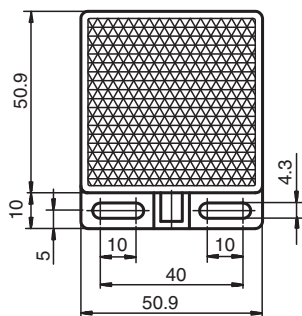
REF-MH50



- Mounting holes for simple installation
- Micro-structure

Reflector with Micro-structure, rectangular 50.9 mm x 50.9 mm, mounting holes, fixing strap

Dimensions



T = 6.3

Technical Data

General specifications	
Construction type	rectangular
Tripel height	approx. 0.9 mm
Ambient conditions	
Ambient temperature	-20 ... 85 °C (-4 ... 185 °F)
Mechanical specifications	
Material	PMMA/ABS
Dimensions	50,9 mm x 50,9 mm x 6,3 mm
Mounting	mounting holes

Release date: 2020-03-23 Date of issue: 2020-06-29 Filename: 127832_eng.pdf