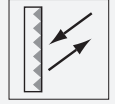


Reflector with micro-structure

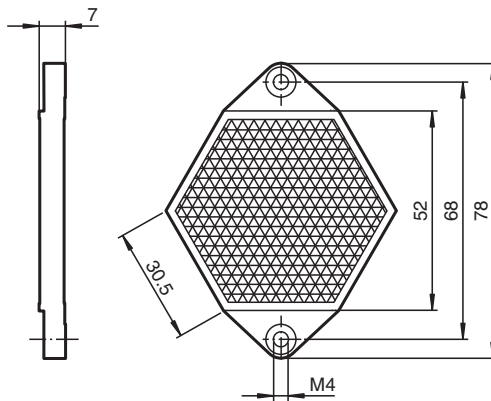
REF-MH78



- Mounting holes for simple installation
- Micro-structure

Reflector with Micro-structure, hexagonal 78 mm x 61 mm, mounting holes

Dimensions



Technical Data

General specifications

Construction type hexagonal

Ambient conditions

Ambient temperature -30 ... 85 °C (-22 ... 185 °F)

Mechanical specifications

Material PMMA/ABS

Dimensions 78 mm x 61 mm x 7 mm

Mounting mounting holes

Application

Reflectors

Polarized retroreflective sensors must use corner cube reflectors.

Microstructure, corner cube reflectors are used with laser retroreflective sensors that have a small light spot.