

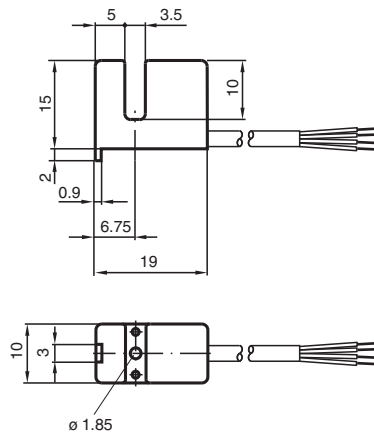
Inductive slot sensor

SB3,5-A2

- 3.5 mm slot width
- 4-wire DC



Dimensions



Technical Data

General specifications			
Switching function			complementary
Output type			PNP
Slot width			3.5 mm
Depth of immersion (lateral)			5 ... 7 mm
Output polarity			DC
Output type			3-wire
Nominal ratings			
Operating voltage	U_B		10 ... 30 V DC
Switching frequency	f		0 ... 3000 Hz
Hysteresis	H		0.1 ... 0.4 mm
Reverse polarity protection			reverse polarity protected
Short-circuit protection			pulsing
Voltage drop	U_d		≤ 2 V
Operating current	I_L		0 ... 100 mA
No-load supply current	I_0		≤ 15 mA
Compliance with standards and directives			
Standard conformity			
Standards			EN IEC 60947-5-2

Release date: 2025-04-02 Date of issue: 2025-04-02 Filename: 128588_eng.pdf

Technical Data

Approvals and certificates

UL approval	cULus Listed, General Purpose
CCC approval	CCC approval / marking not required for products rated ≤36 V

Ambient conditions

Ambient temperature	-25 ... 85 °C (-13 ... 185 °F)
---------------------	--------------------------------

Mechanical specifications

Connection type	cable	
Housing material	Crastin (PBTB)	
Degree of protection	IP67	
Cable		
Wire end ferrules	yes	
Cable diameter	3 mm + 0.3 mm	
Bending radius	> 10 x cable diameter	
Material	PVC	
Color	grey	
Number of cores	4	
Core cross section	0.14 mm ²	
Length	L	500 mm
Dimensions		
Height	15 mm	
Width	10 mm	
Length	19 mm	

Connection

