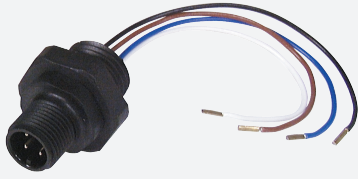


Receptacles

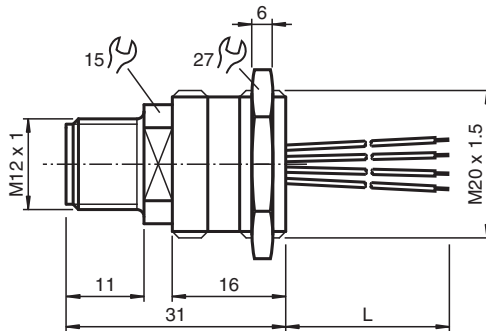
V1-M20-80



- Plastic version
- Front/screw mounting
- M12 plug can be mounted in any position

Receptacles, M12/M20; plastic version

Dimensions



Technical Data

General specifications

Connector 1		
Connection		plug
Construction type		M12
Style		straight
Locking		screw connection
Number of pins		4
Coding		A-coded
Connector 2		
Connection		cable end

Electrical specifications

Operating voltage	U_B	max. 48 V AC / 60 V DC
Operating current	I_B	max. 3 A

Conformity

Degree of protection		EN 60529
Plug connection		connector M12 x 1 : IEC 61076-2-101

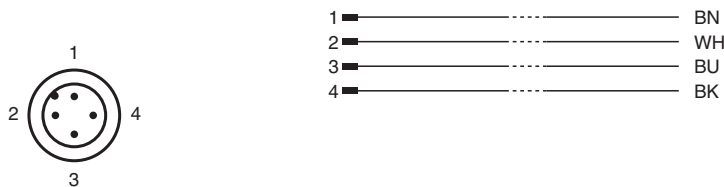
Ambient conditions

Release date: 2023-12-05 Date of issue: 2023-12-05 Filename: 128735_eng.pdf

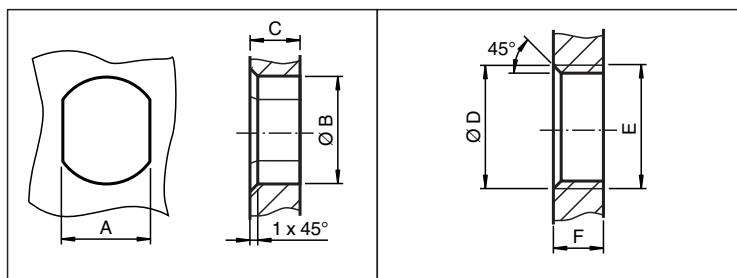
Technical Data

Ambient temperature	-25 ... 70 °C (-13 ... 158 °F)	
Mechanical specifications		
Degree of protection	IP67 when sealing with O-Ring	
Cable		
Number of cores	4	
Core cross section	0.25 mm ²	
Cores color	Core 1: brown Core 2: white Core 3: blue Core 4: black	
Conductor construction	Single strand leads with connector sleeves	
Length	L	80 mm
Installation	Front mounting M20	
Material		
Plug connector		
Screw connection	PA 66	
Cable		
Core insulation	PVC	

Connection Assignment



Mounting



	A	B	C	D	E	F
M8	7.1 ^{+0.1}	Ø 8.2 ^{+0.1}	2 - 4 mm	-	M8x0.5	2 - 4 mm
M12	11 ^{+0.1}	Ø 12.2 ^{+0.1}	< 4 mm	-	M12x1	< 4.5 mm
M16	13.5 ^{+0.1}	Ø 16.1	< 4.5 mm	Ø 17 ^{+0.2}	M16x1.5	> 2.5 mm
M20	13.5 ^{+0.1}	Ø 20.1	-	Ø 20 ^{+0.2}	M20x1.5	< 6 mm
PG9	13.5 ^{+0.1}	Ø 15.3 ^{+0.1}	< 4.5 mm	Ø 16	PG9	> 2.5 mm
PG13.5	18.8 ^{+0.1}	Ø 20.5 ^{+0.1}	-	Ø 22 ^{±0.1}	PG13.5	-

Release date: 2023-12-05 Date of issue: 2023-12-05 Filename: 128735_eng.pdf

Scope of Delivery

O-ring (13,3 x 2,4) and lock nut are included in the delivery package.