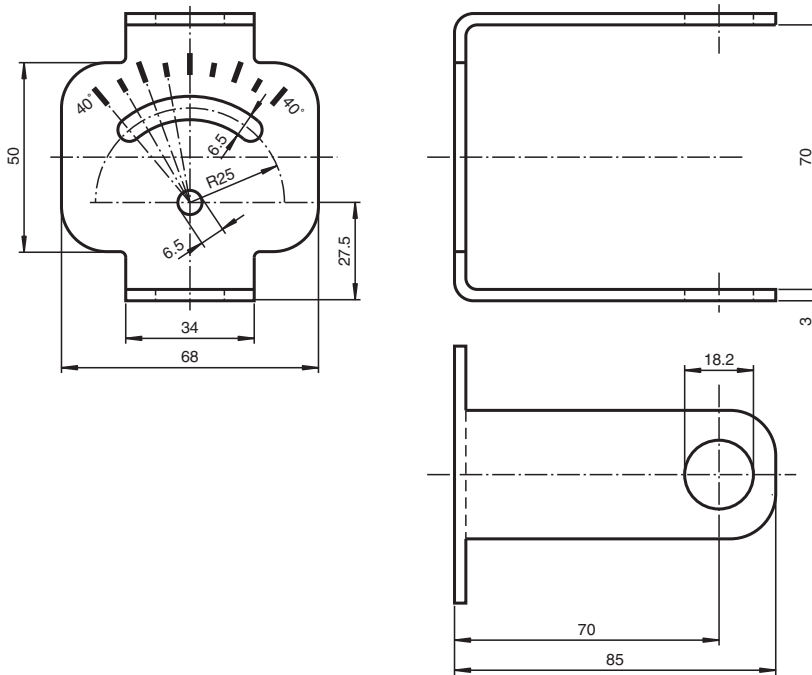




Mounting aid
MH-UDB01

Mounting bracket for double sheet monitor

Dimensions



Technical Data

Mechanical specifications

Material	Stainless steel
Mass	195 g