

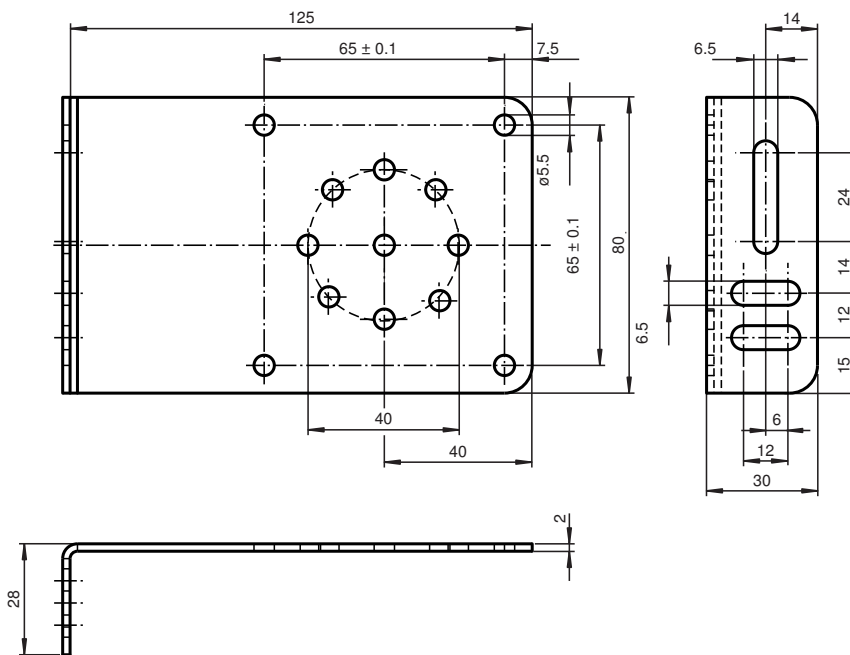
## Mounting aid

### MHW 11

- Suitable for series F42, FP, Varikont L, Varikont, BF 18 and BF 30

Mounting brackets for sensors

## Dimensions



## Technical Data

### Mechanical specifications

Material	Stainless steel
Mass	180 g