

Mounting aid OMH-05

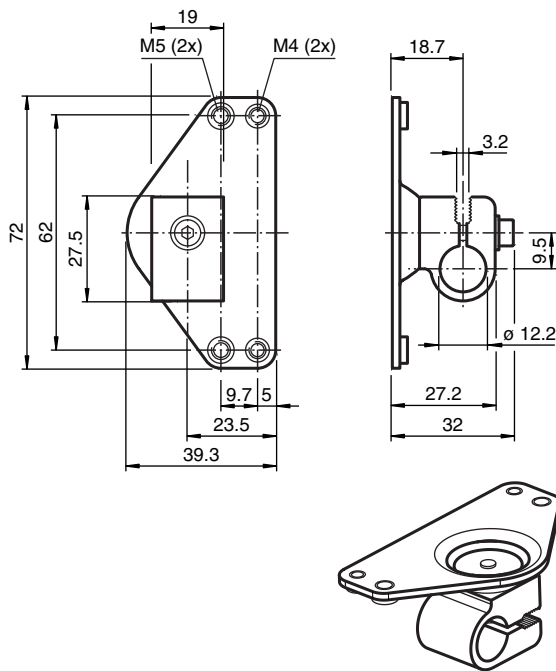


- Bracket for round steel or sheet

Mounting aid for round steel \varnothing 12 mm or sheet 1.5 mm ... 3 mm



Dimensions



Technical Data

Mechanical specifications

Material	Metal sheet (steel), zinc-plated aluminum
Mass	approx. 50 g

Suitable series


Series	RL23 RL28 RL29 RL30 RL32
--------	--------------------------------------

Release date: 2020-03-23 Date of issue: 2020-06-29 Filename: 129638_eng.pdf

Technical Data

Safety Series	SLA28 SL29, SLA29
Reflector series	H75 reflector

Accessories

	OMH-SLCT-12-500	Mounting bracket, muting arm with round rod d=12 mm
---	------------------------	---